

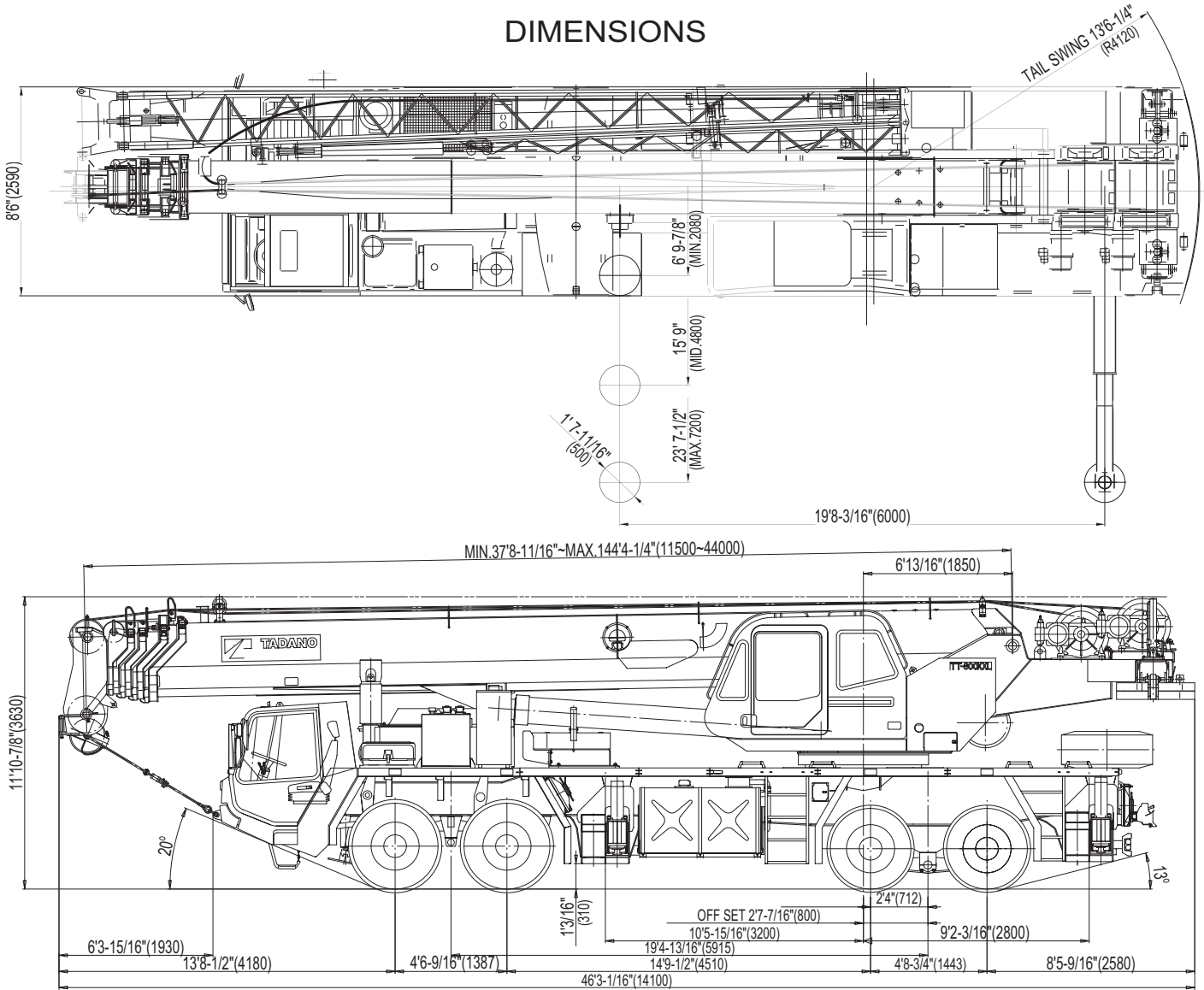


TT-800XXL

80 Ton Capacity (72.6 Metric Tons)

HYDRAULIC TRUCK CRANE

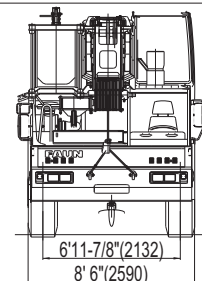
DIMENSIONS



GENERAL DIMENSIONS

Tire : 445/65R22.5(Front)
315/80R22.5(Rear)

	Feet	Meters
Turning radius		
Front tire (curb to curb)	40' 8"	12.4
Over jib	48' 7"	14.8



CRANE SPECIFICATIONS

BOOM

Five section full power synchronized telescoping boom, 37' 8-11/16"~144' 4-1/4"(11.5m~44m), of round hexagonal box construction with 7-sheaves, 17-5/16" (0.440m) root diameter, at boom head. The synchronization system consists of two double acting telescope cylinders, two extension cables and retraction cable. Hydraulic cylinder fitted with holding valve. Two easily removable wire rope guards, rope dead end provided on both sides of boom head.

Boom telescope sections are supported by wear pads both vertically and horizontally. Two boom telescoping modes available. Extension speed 106' 7-1/2" in 145 seconds.

BOOM ELEVATION - By a double acting hydraulic cylinder with holding valve. Elevation -2°~80°, combination controls for hand or foot operation. Boom angle indicator. Automatic speed reduction and soft stop function. Elevation speed -2°~80° in 77 seconds.

JIB - Two stage bi-fold lattice type with 3.5°, 25° or 45° offset (tilt type). Single sheave, 15-5/8"(0.396m) root diameter, at the head of both jib sections. Stored alongside base boom section. Jib length is 32.5' (9.9m) or 58.1' (17.7m). Assist cylinders for mounting and stowing are controlled at right side of superstructure. Self stowing jib mounting pins.

AUXILIARY LIFTING SHEAVE (SINGLE TOP)
Single sheave, 15-5/8"(0.396m) root diameter. Mounted to main boom head for single line work (stowable).

ANTI-TWO BLOCK - Pendant type over-winding cut out device with audio-visual (FAILURE lamp/BUZZER) warning system.

SWING
Hydraulic axial piston motor driven through planetary swing speed reducer. Continuous 360° full circle swing on ball bearing turntable at 1.7rpm. Equipped with manually locked/released swing brake. 360° positive swing lock. Twin swing System: Free swing or lock swing controlled by selector switch on front console. Automatic speed reduction and soft stop function.

HOIST

MAIN HOIST - Variable speed type with grooved drum driven by hydraulic axial piston motor through winch speed reducer. Power load lowering and raising. Equipped with automatic brake (neutral brake) and counterbalance valve. Controlled independently of main hoist. Equipped with cable follower and drum rotation indicator.

DRUM - Grooved 15-3/4"(0.40m) root diameter x 22-3/4" (0.578m) wide. Wire rope: 797' of 3/4" diameter rope (243m of 19mm). Drum capacity: 1,096' (334m) 7 layers. Maximum line pull (permissible): 15,200lbs. (6,880kg)*. Maximum line speed: 585FPM (178m/min).

AUXILIARY HOIST - Variable speed type with grooved drum driven by hydraulic axial piston motor through winch speed reducer. Power load lowering and raising. Equipped with automatic brake (neutral brake) and counterbalance valve. Controlled independently of main hoist. Equipped with cable follower and drum rotation indicator.

DRUM - Grooved 15-3/4"(0.40m) root diameter x 22-3/4" (0.578m) wide. Wire rope: 436' of 3/4" diameter rope (133m of 19mm). Drum capacity: 1,096' (334m) 7 layers. Maximum line pull (permissible): 15,200lbs. (6,880kg)*. Maximum line speed: 585FPM (178m/min).

WIRE ROPE - Warrington seal wire, extra improved plow steel, preformed, independent wire rope core, right regular lay. 3/4"(19 mm) 6X37 class

HOOK BLOCKS
5.5 ton (5.0 metric ton) - Weighted hook with swivel and safety latch, for 3/4"(19mm) wire rope.

HYDRAULIC SYSTEM

PUMPS - Two variable piston pumps for crane functions. Tandem gear pump for swing and optional equipment. Powered by carrier engine. Pump disconnect for crane is engaged/ disengaged by rocker switch from carrier cab.

CONTROL VALVES - Multiple valves actuated by pilot pressure with integral pressure relief valves.

RESERVOIR - 185 gallon (700 lit.) capacity. External sight level gauge.

FILTRATION - 26 micron return filter, full flow with bypass protection, located inside of hydraulic reservoir. Accessible for easy replacement.

OIL COOLER - Air cooled fan type.

COUNTERWEIGHT
Hydraulically assembled/disassembled counterweight pinned to superstructure frame.
Three piece : 3,700lbs. (1,678kg)
4,000lbs. (1,814kg)
8,000lbs. (3,628kg)

CAB AND CONTROLS

Left side, 1 man type, steel construction with sliding door access and tinted safety glass windows opening at side. Door window is powered control. Windshield glass and roof window glass are shatter-resistant. Adjustable control lever stands for swing, boom hoist, boom telescoping, auxiliary hoist and main hoist. Control lever stands can change neutral positions and tilt for easy access into cab. 3 way adjustable operator's seat with high back, headrest and armrest. Engine throttle knob. Foot operated controls: boom hoist, boom telescoping and engine throttle. Each outrigger beam and jack is controlled independently. Hot water cab heater and air conditioning (OPTIONAL).

Dash-mounted engine start/stop, monitor lamps, cigarette lighter, ashtray, telescoping mode **I/II** switch, boom telescoping/ auxiliary hoist control selector switch, low noise mode switch, windshield washer and wiper switch, power window switch, swing brake switch, telescoping / auxiliary winch select switch, swing stop cancel switch, slow elevation stop cancel switch and free swing / lock swing selector switch.

Instruments - Hydraulic oil pressure is monitored and displayed on the AML-L display panel.

Tadano electronic LOAD MOMENT INDICATOR system (AML-L) including:

- Control lever lockout function with audible and visual pre-warning.
- Boom position indicator
- Outrigger state indicator
- Boom angle / boom length / jib offset angle / load radius / rated lifting capacities / actual loads read out
- Ratio of actual load moment to rated load moment indication
- Automatic Speed Reduction and Soft Stop function on boom elevation and swing (swing range restricted only)
- Working condition register switch
- Load radius / boom angle / tip height / swing range preset function
- External warning lamp

TADANO AML-L monitors outrigger extended length and automatically programs the corresponding "RATED LIFTING CAPACITIES" table.

2nd boom emergency / 3rd,4th,top boom emergency telescoping switch. Correct jib status select switch. Upper console includes working light switch, roof washer and wiper switch, oil cooler switch, emergency outrigger set up key switch and air conditioning control switch (optional). Swing lock lever.

NOTE: Each crane motion speed is based on unladen conditions.

CARRIER SPECIFICATIONS

MANUFACTURER / MODEL - FAUN GmbH / KF70-4

TYPE - Left hand steering, 8x4

FRAME - High tensile steel, all welded mono-box construction.

TRANSMISSION - ZF AS Tronic 12AS2301

Automatically shifting transmission system with the possibility of semi-automatic operation. 12 forward and 2 reverse speeds.

Gear	Traveling speeds in mph (km/h)
1st	0-3.91 (0-6.3)
2nd	4.97 (8.0)
3rd	6.46 (10.4)
4th	8.32 (13.4)
5th	10.50 (16.9)
6th	13.48 (21.7)
7th	17.77 (28.6)
8th	22.87 (36.8)
9th	29.45 (47.4)
10th	37.78 (60.8)
11th	47.97 (77.2)
12th	61.51 (99.0)
1st Reverses	4.23 (6.8)
2nd Reverses	5.41 (8.7)

AXLES - Front: Full floating type, steering axles.

Rear: Full floating type, driving axles with inter-wheel differential lock.

STEERING - Dual-circuit hydraulic and mechanical steering of both front axles with hydraulic power booster. Emergency steering pump mounted on 3rd axle reduction gear. Tilt telescoping steering wheel.

SUSPENSION - Front: Load sharing type with leaf springs.

Rear: Solid mounted tandem with equalizer beam and torque rods.

ENGINE (EPA Tier 2)

Model	Cummins QSM11
No. of cylinders	6
Combustion	4 cycle, turbo charged and inter cooled
BoreXStroke, in.(mm)	4.9' X 5.8' (125X147)
Displacement, cu. in (liters)	660 (10.8)
Air inlet heater	24 volt preheat
Air cleaner	Dry type, replaceable element
Oil filter	Full flow and bypass with replaceable element
Fuel filter	Spin-on type
Fuel tank, gal.(liters)	105.6 (400), right side of carrier
Cooling	Liquid pressurized, recirculating by-pass

BRAKE SYSTEMS - Service: Full air brakes with multi-protection valve and auto slack adjuster on all wheels. Dual air line system, internal expanding leading and trailing shoe type with Anti-lock Braking System (ABS). Parking / Emergency: Spring loaded brake on rear 4-wheels controlled by knob of spring brake valve. Auxiliary: Exhaust brake (JAKE BRAKE by Cummins)

TIRES - Front: 445/65R22.5 Single Rear: 315/80R22.5 Dual Spare: 445/65R22.5 SingleX1

OUTRIGGERS - Four hydraulic, beam and jack outriggers. Vertical jack cylinders equipped with integral holding valve. Each outrigger beam and jack is controlled independently from either side of carrier. Beams extend to 23' 7-1/2" (7.2 m) center-line and retract to within 8' 6" (2.59 m) overall width. Equipped with four 1' 7-11/16" (0.5m) dia. stowable plastic floats. Controls and sight bubble located on both side of carrier. Three outrigger extension lengths are provided with corresponding "RATED LIFTING CAPACITIES" for crane duty in confined areas.

Min. extension	6' 9-7/8"(2.08m) center to center
Mid. extension	15' 9"(4.8m) center to center
Max. extension	23' 7-1/2"(7.2m) center to center

FRONT JACK - A fifth hydraulically operated outrigger jack is mounted to the front carrier frame providing 360° lifting capacities. Hydraulic cylinder equipped with integral holding valve and 1' 3-11/16" (0.4m) dia. steel float.

CARRIER CAB - One man full with cab of composite structure (steel sheet metal and fiberglass), windshield of laminated safety glass with windshield wiper and washer, sliding side windows of hardened glass. Driver seat adjustable and air-suspended with headrests and 3 point safety belts. 2 rear-view mirrors (electrically adjustable), 1 wide angle mirror and additional curb mirror, all mirrors heated. Engine dependent warm-water heater with defroster nozzles for windshield and cab floor. Instrumentation includes speedometer, tachograph, rpm counter with hour meter, fuel level gauge, air pressure gauge and engine warning lamp, oil pressure control lamp.

Radiator	Fin and tube core, thermostat controlled
Fan, in.(mm)	Hydraulic driven fan, 29.5 (750) dia.
Starting	24 volt, 7.5 kW
Charging	24 volt system, negative ground
Battery	24 Volt DC system with 2 batteries
Compressor, air, CFM(l /min)	13.4 CFM (380) at 2,100rpm
Horsepower, hp (kW)	385 (287) at 1,800rpm
Torque, Max. ft-lb (N-m)	1,310 (1,776) at 1,400rpm
Capacity, gal.(liters)	
Cooling water	3.4 (13)
Lubrication	9.5 (36)
Engine brake	Jake brake

STANDARD EQUIPMENT

FOR CRANE

- 5-section full power synchronized boom 37.7'~144.4' (11.5 m~44 m)
- 32.5'~58.1' (9.9 m~17.7 m) two stage bi-fold lattice jib (tilt type) with 3.5°, 25° or 45° pinned offsets and self storing pins.
- Auxiliary lifting sheave (single top) stowable
- Variable speed main hoist with grooved drum, cable follower and 797' of 3/4" cable.
- Variable speed auxiliary hoist with grooved drum, cable follower and 436' of 3/4" cable.
- Drum rotation indicator (thumper type) main and auxiliary hoist
- Anti-Two block device (overwind cutout)
- Boom angle indicator
- Tadano electronic load moment indicator system (AML-L)
- Outrigger extension length detector
- Electronic crane monitoring system
- 2 boom telescoping modes
- Tadano twin swing system and 360° positive swing lock
- Self centering finger control levers with pilot control
- Control pedals for boom hoist and boom telescoping
- 3 way adjustable cloth seat with armrests, high back and seat belt.
- Tinted safety glass and sun visor
- Front windshield wiper and washer
- Roof window wiper and washer
- Power window (cab door)
- Rear view mirrors (right and left side)
- Mirror for main and auxiliary hoists
- Cigarette lighter
- Electric fan in cab
- Cab floor mat
- Hook block tie down front bumper
- Non-slip paint
- Counterweight position indicator
- 3,700lbs, 4,000lbs and 8,000lbs three piece removable counterweight
- Hydraulic circuit for dolly (Elevation, swing and swing brake)
- Outrigger controls and sight bubble located in superstructure cab
- Low noise mode
- 3 working lights
- 5.5 ton (5.0 metric ton) hook with swivel and safety latch
- Hydraulic oil cooler

FOR CARRIER

- Cummins QSM11 turbo charged and inter cooled engine with Jake brake.
- Ether injector
- ZF AS-tronic automatic transmission, 12 forward and 2 reverse speeds.
- Front and spare tires : 445/65R22.5 Rear tires : 315/80R22.5
- Inter wheel differential lock
- Anti-lock Braking System (ABS)
- Towing hooks (Front and rear, eye type)
- Carrier mounted storage box
- Trailer coupling device
- Air dryer and air cleaner dust indicator
- ZF - Servocom dual-circuit hydraulic steering system with emergency steering pump
- Front jack (Fifth jack)
- Aluminum fenders
- Windshield of laminated safety glass
- Side windows of hardened glass
- Windshield wiper and washer
- Roof hatch and Sun visor
- Emergency hammer
- Hot water cab heater with defroster
- Tilt telescoping steering wheel
- 3 way adjustable air suspension seat with 3 point type seat belt
- Speedometer, Odometer, Tachometer, Hourmeter and Tachograph
- Air pressure gauge
- Engine temperature indicator
- Low coolant level warning lamp.
- Fuel level indicator and lockable fuel tank cap
- Gearbox display (ZF T/M indicator) with Gearbox malfunction buzzer
- Engine over-run buzzer
- Swing brake pressure drop buzzer for dolly
- Rotary beacon
- Electric horn
- High-beam light
- Front and rear fog lights
- Hazard warning system
- Back-up alarm and light
- Electrically adjustable and heated rear view mirror
- FM/AM radio
- Tire inflation kit
- Cab floor mat
- Ashtray and cigarette lighter
- Extended exhaust pipe
- Electrical and pneumatic quick connections on rear bumper for boom
- dolly lights and brakes.
- Weighted hook storage compartment

OPTIONAL EQUIPMENT

- Hot water cab heater and air conditioner (Upper cab)
- Main hook block

HOISTING SPECIFICATIONS

LINE SPEEDS AND PULLS

Layer	Speed	Main or auxiliary hoist - 15'-3/4" (0.4m) drum					
		Line speeds ²		Line pulls			
		F.P.M	m/min	Available ¹		Permissible ⁴	
				Lbs.	kgf	Lbs.	kgf
1st	High	378	115	18,200	8,260	15,200	6,880
2nd	High	413	126	16,700	7,570	13,900	6,310
3rd	High	448	136	15,400	6,990	12,800	5,820
4th	High	482	147	14,300	6,490	11,900	5,410
5th	High	502	157	13,400	6,060	11,100	5,050
6th	High	551	168	12,500	5,680	10,400	4,730
7th ³	High	585	178	11,800	5,350	9,800	4,460

¹ Developed by machinery with each layer of wire rope, but not based on rope strength or other limitation in machinery or equipment.

² Line speeds based only on hook block, not loaded.

³ Seventh layer of wire rope is not recommended for hoisting operations.

⁴ Permissible line pull may be affected by wire rope strength.

DRUM WIRE ROPE CAPACITIES

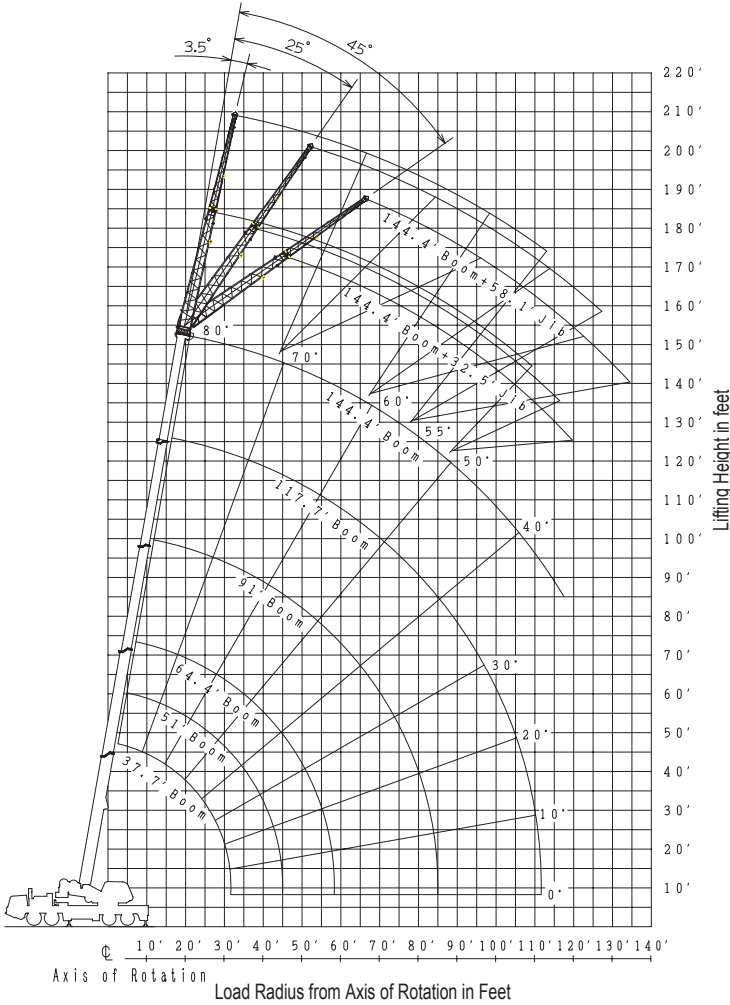
Wire rope layer	Main and auxiliary drum grooved lagging			
	3/4" (19mm) wire rope			
	Rope per layer		Total wire rope	
	Feet	Meters	Feet	Meters
1	123.0	37.5	123.0	37.5
2	134.2	40.9	257.2	78.4
3	145.3	44.3	402.6	122.7
4	156.5	47.7	559.1	170.4
5	167.7	51.1	726.7	221.5
6	178.8	54.5	905.5	276.0
7	190.0	57.9	1,095.5	333.9

DRUM DIMENSIONS

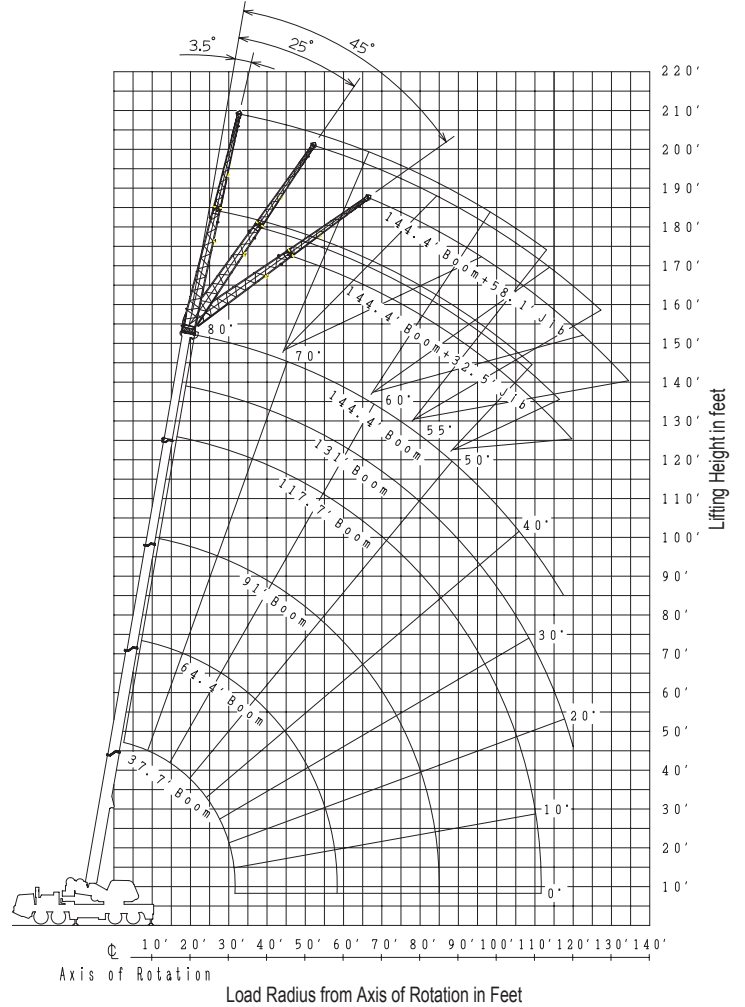
	Inch	mm
Root diameter	15-3/4"	400
Length	22-3/4"	578
Flange diameter	27-3/8"	695

TT-800XXL WORKING RANGE CHART

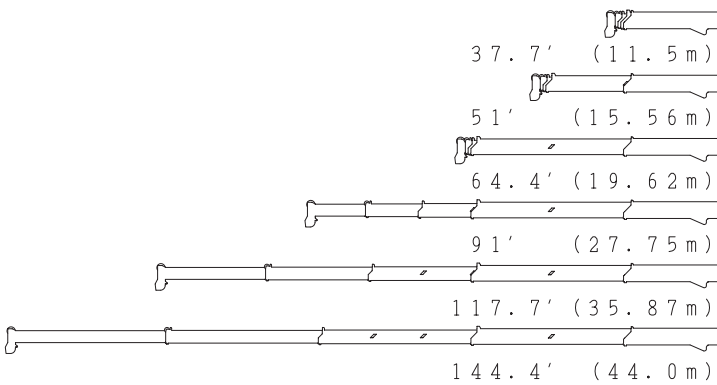
Telescoping Mode I



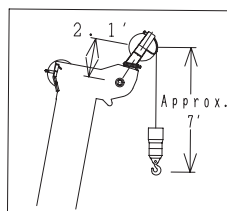
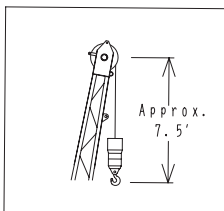
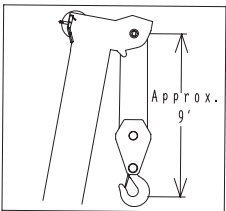
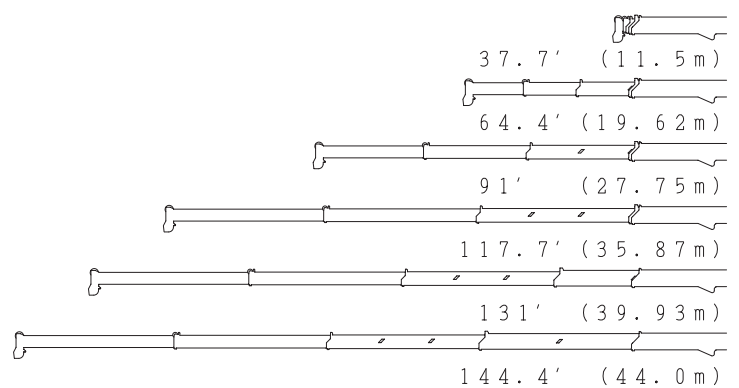
Telescoping Mode II



Boom Length in Feet (Telescoping Mode I)



Boom Length in Feet (Telescoping Mode II)

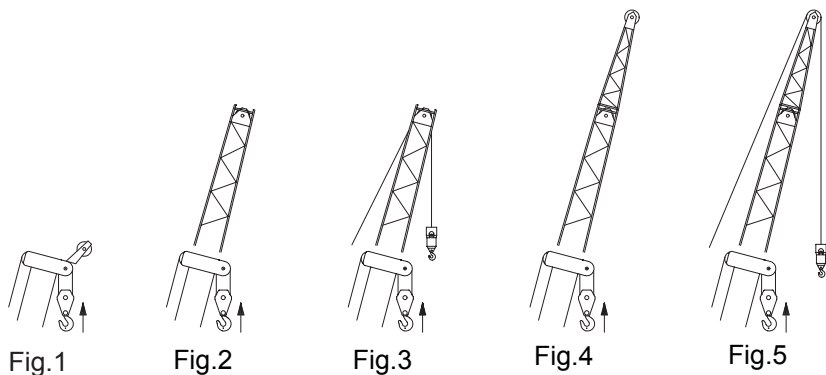


NOTE : 1. Boom and jib geometry shown are for unloaded condition and machine standing level on firm supporting surface. Boom deflection and subsequent radius and boom angle change must be accounted for when applying load to hook.

WEIGHT REDUCTIONS FOR AUXILIARY LOAD HANDLING EQUIPMENT

Load Handling Equipment	
Main Hook Block(See Hook Block for actual weight) (lbs.)
Aux.Hook(See Hook for actual weight)	330 (lbs.)

Lifting from Main Boom with																																																	
#1 Base and/or Top Jib stowed on base boom	0 (lbs.)																																																
Single Top stowed on top boom	0 (lbs.)																																																
Single Top erected but not used	0 (lbs.) Fig.1																																																
32.5'(9.9m)Base Jib erected but not used	(lbs.) Fig.2																																																
<table border="1"> <thead> <tr> <th>Boom Length</th> <th>37.7'</th> <th>51'</th> <th>64.4'</th> <th>91'</th> <th>117.7'</th> <th>131'</th> <th>144.4'</th> </tr> </thead> <tbody> <tr> <td>Telescoping Mode</td> <td>I, II</td> <td>I</td> <td>I</td> <td>II</td> <td>I</td> <td>II</td> <td>I, II</td> </tr> <tr> <td></td> <td>20,100</td> <td>14,100</td> <td>13,300</td> <td>8,500</td> <td>8,100</td> <td>6,500</td> <td>6,600</td> </tr> <tr> <td></td> <td></td> <td></td> <td></td> <td></td> <td>5,100</td> <td>4,800</td> <td>4,800</td> </tr> </tbody> </table>	Boom Length	37.7'	51'	64.4'	91'	117.7'	131'	144.4'	Telescoping Mode	I, II	I	I	II	I	II	I, II		20,100	14,100	13,300	8,500	8,100	6,500	6,600						5,100	4,800	4,800																	
Boom Length	37.7'	51'	64.4'	91'	117.7'	131'	144.4'																																										
Telescoping Mode	I, II	I	I	II	I	II	I, II																																										
	20,100	14,100	13,300	8,500	8,100	6,500	6,600																																										
					5,100	4,800	4,800																																										
32.5'(9.9m)Base Jib erected but not used +Aux.Hook on Top Jib	(lbs.) Fig.3																																																
<table border="1"> <thead> <tr> <th>Boom Length</th> <th>37.7'</th> <th>51'</th> <th>64.4'</th> <th>91'</th> <th>117.7'</th> <th>131'</th> <th>144.4'</th> </tr> </thead> <tbody> <tr> <td>Telescoping Mode</td> <td>I, II</td> <td>I</td> <td>I</td> <td>II</td> <td>I</td> <td>II</td> <td>I, II</td> </tr> <tr> <td></td> <td>20,900</td> <td>15,000</td> <td>14,300</td> <td>9,500</td> <td>8,800</td> <td>7,200</td> <td>7,300</td> </tr> <tr> <td></td> <td></td> <td></td> <td></td> <td></td> <td>5,800</td> <td>5,400</td> <td>5,400</td> </tr> </tbody> </table>	Boom Length	37.7'	51'	64.4'	91'	117.7'	131'	144.4'	Telescoping Mode	I, II	I	I	II	I	II	I, II		20,900	15,000	14,300	9,500	8,800	7,200	7,300						5,800	5,400	5,400																	
Boom Length	37.7'	51'	64.4'	91'	117.7'	131'	144.4'																																										
Telescoping Mode	I, II	I	I	II	I	II	I, II																																										
	20,900	15,000	14,300	9,500	8,800	7,200	7,300																																										
					5,800	5,400	5,400																																										
58.1'(17.7m)Base and Top Jib erected but not used	(lbs.) Fig.4																																																
<table border="1"> <thead> <tr> <th>Boom Length</th> <th>37.7'</th> <th>51'</th> <th>64.4'</th> <th>91'</th> <th>117.7'</th> <th>131'</th> <th>144.4'</th> </tr> </thead> <tbody> <tr> <td>Telescoping Mode</td> <td>I, II</td> <td>I</td> <td>I</td> <td>II</td> <td>I</td> <td>II</td> <td>I, II</td> </tr> <tr> <td></td> <td>22,300</td> <td>16,700</td> <td>16,400</td> <td>11,600</td> <td>10,200</td> <td>8,600</td> <td>8,500</td> </tr> <tr> <td></td> <td></td> <td></td> <td></td> <td></td> <td></td> <td></td> <td>7,000</td> </tr> <tr> <td></td> <td></td> <td></td> <td></td> <td></td> <td></td> <td></td> <td>6,300</td> </tr> <tr> <td></td> <td></td> <td></td> <td></td> <td></td> <td></td> <td></td> <td>6,200</td> </tr> </tbody> </table>	Boom Length	37.7'	51'	64.4'	91'	117.7'	131'	144.4'	Telescoping Mode	I, II	I	I	II	I	II	I, II		22,300	16,700	16,400	11,600	10,200	8,600	8,500								7,000								6,300								6,200	
Boom Length	37.7'	51'	64.4'	91'	117.7'	131'	144.4'																																										
Telescoping Mode	I, II	I	I	II	I	II	I, II																																										
	22,300	16,700	16,400	11,600	10,200	8,600	8,500																																										
							7,000																																										
							6,300																																										
							6,200																																										
58.1'(17.7m)Base and Top Jib erected but not used +Aux.Hook on Top Jib	(lbs.) Fig.5																																																
<table border="1"> <thead> <tr> <th>Boom Length</th> <th>37.7'</th> <th>51'</th> <th>64.4'</th> <th>91'</th> <th>117.7'</th> <th>131'</th> <th>144.4'</th> </tr> </thead> <tbody> <tr> <td>Telescoping Mode</td> <td>I, II</td> <td>I</td> <td>I</td> <td>II</td> <td>I</td> <td>II</td> <td>I, II</td> </tr> <tr> <td></td> <td>23,500</td> <td>18,000</td> <td>18,000</td> <td>13,200</td> <td>11,300</td> <td>9,700</td> <td>9,500</td> </tr> <tr> <td></td> <td></td> <td></td> <td></td> <td></td> <td></td> <td></td> <td>8,000</td> </tr> <tr> <td></td> <td></td> <td></td> <td></td> <td></td> <td></td> <td></td> <td>7,200</td> </tr> <tr> <td></td> <td></td> <td></td> <td></td> <td></td> <td></td> <td></td> <td>6,900</td> </tr> </tbody> </table>	Boom Length	37.7'	51'	64.4'	91'	117.7'	131'	144.4'	Telescoping Mode	I, II	I	I	II	I	II	I, II		23,500	18,000	18,000	13,200	11,300	9,700	9,500								8,000								7,200								6,900	
Boom Length	37.7'	51'	64.4'	91'	117.7'	131'	144.4'																																										
Telescoping Mode	I, II	I	I	II	I	II	I, II																																										
	23,500	18,000	18,000	13,200	11,300	9,700	9,500																																										
							8,000																																										
							7,200																																										
							6,900																																										
Lifting from 32.5'(9.9m) Base Jib with																																																	
25.6'Top Jib erected but not used	Prohibited																																																
25.6'Top Jib stowed on 32.5'Base Jib	Prohibited																																																



- Note *
- * Capacity deductions are for TADANO supplied equipment only.
 - * When lifting from Jib, deduct total weight of all load handling devices reeved on Main Boom nose directly from Jib capacity. (#2)
- #1. Correct state of Jib, equipped or removed, should be inputted into the LOAD MOMENT INDICATOR(AML-L) by Jib state key switch.
 - #2. The winch which is lifting load should be defined in the LOAD MOMENT INDICATOR(AML-L) by main winch/auxiliary winch selector switch.

TT-800XXL RATED LIFTING CAPACITIES (IN POUNDS)

ON OUTRIGGERS FULLY EXTENDED 23' 7-1/2" (7.2m) SPREAD, FRONT JACK EXTENDED																					
15,700lbs COUNTERWEIGHT, 360° ROTATION																					
B \ A	37.7'		51'		64.4'		64.4'		91'		91'		117.7'		117.7'		131'		144.4'		
	C	(11.5m)	C	(15.56m)	C	(19.62m)	C	(19.62m)	C	(27.75m)	C	(27.75m)	C	(35.87m)	C	(35.87m)	C	(39.93m)	C	(44.0m)	
10'	68	160,000	74	103,600	78	88,100	78	44,000													
12'	65	127,900	72	103,600	76	88,100	76	44,000													
15'	60	108,000	68	103,600	73	88,100	73	44,000	79	44,000	79	30,800									
20'	50	79,400	62	79,400	69	71,900	69	44,000	76	44,000	76	30,800	80	30,800	80	17,600					
25'	38	59,800	55	59,000	64	57,700	64	44,000	73	44,000	73	30,800	77	30,800	77	17,600	79	17,600			
30'	21	43,200	48	42,000	58	40,900	58	44,000	69	39,000	69	26,700	75	30,800	75	17,600	77	17,600	78	17,600	
35'			39	31,400	53	30,600	53	37,000	66	33,800	66	23,200	72	28,200	72	17,600	75	17,600	76	17,600	
40'			28	24,300	47	23,600	47	29,500	62	27,100	62	20,400	70	24,700	70	17,600	73	17,600	74	17,600	
45'			5	19,200	40	18,500	40	24,100	59	21,800	59	18,200	67	21,800	67	16,400	70	17,600	72	17,600	
50'					32	14,700	32	20,100	55	17,900	55	16,400	64	19,200	64	14,700	68	16,200	70	17,100	
60'									46	12,200	46	14,500	59	13,600	59	11,900	63	13,300	66	13,800	
70'									36	8,400	36	11,400	52	9,800	52	9,900	58	11,100	61	10,500	
80'									22	5,800	22	9,000	46	7,100	46	8,400	52	8,600	56	7,700	
90'													38	5,000	38	7,200	46	6,400	51	5,700	
100'													28	3,400	28	5,800	39	4,800	46	4,100	
110'													13	2,200	13	4,500	31	3,600	39	2,800	
120'																	19	2,600	32	1,800	
D	0°																19°		32°		
Telescoping conditions (%)																					
Tele mode	I, II		I		I		II		I		II		I		II		II		I, II		
2nd	0		50		100		0		100		0		100		0		50		100		
3rd	0		0		0		33		33		66		66		100		100		100		
4th	0		0		0		33		33		66		66		100		100		100		
Top	0		0		0		33		33		66		66		100		100		100		

LIFTING CAPACITIES AT ZERO DEGREE BOOM ANGLE ON OUTRIGGERS FULLY EXTENDED 23' 7-1/2" (7.2m) SPREAD, FRONT JACK EXTENDED																
15,700lbs COUNTERWEIGHT, 360° ROTATION																
E \ A	37.7'		51'		64.4'		64.4'		91'		91'		117.7'		117.7'	
	B	(11.5m)	B	(15.56m)	B	(19.62m)	B	(19.62m)	B	(27.75m)	B	(27.75m)	B	(35.87m)	B	(35.87m)
0	31.7	39,100	45.0	19,200	58.3	11,000	58.3	15,800	84.7	5,000	84.7	8,200	110	2,200	110	4,500
Tele	I, II		I		I		II		I		II		I		II	

A: Boom length in feet C: Loaded boom angle (°) E: Boom angle (°)
 B: Load radius in feet D: Minimum boom angle (°) for indicated length (no load)

ON OUTRIGGERS MID EXTENDED 15' 9" (4.8m) SPREAD, FRONT JACK EXTENDED																												
15,700lbs COUNTERWEIGHT, 360° ROTATION																												
B \ A	37.7'		51'		64.4'		64.4'		91'		91'		117.7'		117.7'		131'		144.4'									
	C	(11.5m)	C	(15.56m)	C	(19.62m)	C	(19.62m)	C	(27.75m)	C	(27.75m)	C	(35.87m)	C	(35.87m)	C	(39.93m)	C	(44.0m)								
10'	68	131,300	74	103,600	78	88,100	78	44,000																				
12'	65	111,700	72	103,600	76	88,100	76	44,000																				
15'	60	90,100	68	89,300	73	88,100	73	44,000	79	44,000	79	30,800																
20'	50	52,400	62	50,600	69	49,300	69	44,000	76	44,000	76	30,800	80	30,800	80	17,600												
25'	38	33,500	55	32,300	64	31,100	64	37,500	73	34,700	73	30,800	77	30,800	77	17,600	79	17,600										
30'	21	23,100	48	22,000	58	21,200	58	27,000	69	24,400	69	26,700	75	26,000	75	17,600	77	17,600	78	17,600								
35'			39	15,500	53	14,800	53	20,300	66	17,900	66	21,800	72	19,400	72	17,600	75	17,600	76	17,600								
40'			28	11,000	47	10,300	47	15,600	62	13,400	62	17,100	70	14,900	70	17,600	73	16,600	74	15,600								
45'			5	7,800	40	7,100	40	12,200	59	10,100	59	13,700	67	11,500	67	14,300	70	13,200	72	12,300								
50'					32	4,700	32	9,700	55	7,600	55	11,100	64	9,000	64	11,700	68	10,600	70	9,700								
60'									46	4,000	46	7,300	59	5,400	59	8,000	63	7,000	66	6,100								
70'									36	1,500	36	4,800	52	2,900	52	5,500	58	4,500	61	3,600								
80'																	46	3,600	52	2,700								
90'																	38	2,200										
D	0°																36°		0°		52°		38°		52°		61°	
Telescoping conditions (%)																												
Tele mode	I, II		I		I		II		I		II		I		II		II		I, II									
2nd	0		50		100		0		100		0		100		0		50		100									
3rd	0		0		0		33		33		66		66		100		100		100									
4th	0		0		0		33		33		66		66		100		100		100									
Top	0		0		0		33		33		66		66		100		100		100									

LIFTING CAPACITIES AT ZERO DEGREE BOOM ANGLE ON OUTRIGGERS MID EXTENDED 15' 9" (4.8m) SPREAD,																
15,700lbs COUNTERWEIGHT, SPREAD 360° ROTATION, FRONT JACK EXTENDED																
E \ A	37.7'		51'		64.4'		64.4'		91'		91'		117.7'		117.7'	
	B	(11.5m)	B	(15.56m)	B	(19.62m)	B	(19.62m)	B	(27.75m)	B	(27.75m)	B	(35.87m)	B	(35.87m)
0	31.7	20,400	45.0	7,800	58.3	2,100	58.3	6,800								
Tele	I, II		I		I		II		I		II		I		II	

A: Boom length in feet C: Loaded boom angle (°) E: Boom angle (°)
 B: Load radius in feet D: Minimum boom angle (°) for indicated length (no load)

TT-800XXL RATED LIFTING CAPACITIES (IN POUNDS)

ON OUTRIGGERS FULLY EXTENDED 23' 7-1/2" (7.2m) SPREAD, FRONT JACK EXTENDED																					
7,700lbs COUNTERWEIGHT, 360° ROTATION																					
B \ A	37.7'		51'		64.4'		64.4'		91'		91'		117.7'		117.7'		131'		144.4'		
	C	(11.5m)	C	(15.56m)	C	(19.62m)	C	(19.62m)	C	(27.75m)	C	(27.75m)	C	(35.87m)	C	(35.87m)	C	(39.93m)	C	(44.0m)	
10'	68	159,400	74	103,600	78	88,100	78	44,000													
12'	65	127,900	72	103,600	76	88,100	76	44,000													
15'	60	105,600	68	103,600	73	88,100	73	44,000	79	44,000	79	30,800									
20'	50	77,300	62	76,600	69	71,900	69	44,000	76	44,000	76	30,800	80	30,800	80	17,600					
25'	38	51,700	55	50,100	64	48,900	64	44,000	73	44,000	73	30,800	77	30,800	77	17,600	79	17,600			
30'	21	36,500	48	35,300	58	34,200	58	41,100	69	38,300	69	26,700	75	30,800	75	17,600	77	17,600	78	17,600	
35'			39	26,000	53	25,200	53	31,500	66	28,800	66	23,200	72	28,200	72	17,600	75	17,600	76	17,600	
40'			28	19,800	47	19,000	47	24,900	62	22,400	62	20,400	70	23,900	70	17,600	73	17,600	74	17,600	
45'			5	15,300	40	14,600	40	20,100	59	17,800	59	18,200	67	19,200	67	16,400	70	17,600	72	17,600	
50'					32	11,200	32	16,600	55	14,400	55	16,400	64	15,700	64	14,700	68	16,200	70	16,500	
60'									46	9,400	46	12,900	59	10,800	59	11,900	63	12,200	66	11,400	
70'									36	6,000	36	9,400	52	7,300	52	9,900	58	8,900	61	8,100	
80'									22	3,600	22	6,900	46	4,900	46	7,400	52	6,400	56	5,600	
90'													38	3,100	38	5,500	46	4,600	51	3,800	
100'													28	1,700	28	4,100	39	3,100	46	2,400	
110'															13	3,000	31	2,000			
D	0°											28°		0°		31°		46°			
Telescoping conditions (%)																					
Tele mode	I, II		I		I		II		I		II		I		II		II		I, II		
2nd	0		50		100		0		100		0		100		0		50		100		
3rd	0		0		0		33		33		66		66		100		100		100		
4th	0		0		0		33		33		66		66		100		100		100		
Top	0		0		0		33		33		66		66		100		100		100		

LIFTING CAPACITIES AT ZERO DEGREE BOOM ANGLE ON OUTRIGGERS FULLY EXTENDED 23' 7-1/2" (7.2m) SPREAD,																				
7,700lbs COUNTERWEIGHT, 360° ROTATION, FRONT JACK EXTENDED																				
E \ A	37.7'		51'		64.4'		64.4'		91'		91'		117.7'		117.7'		131'		144.4'	
	B	(11.5m)	B	(15.56m)	B	(19.62m)	B	(19.62m)	B	(27.75m)	B	(27.75m)	B	(35.87m)	B	(35.87m)	B	(39.93m)	B	(44.0m)
0	31.7	32,900	45.0	15,300	58.3	7,800	58.3	12,900	84.7	2,900	84.7	6,100	110	3,000						
Tele	I, II		I		I		II		I		II		II							

A: Boom length in feet
B: Load radius in feet

C: Loaded boom angle (°)
D: Minimum boom angle (°) for indicated length (no load)

E: Boom angle (°)

ON OUTRIGGERS MID EXTENDED 15' 9" (4.8m) SPREAD, FRONT JACK EXTENDED																																				
7,700lbs COUNTERWEIGHT, 360° ROTATION																																				
B \ A	37.7'		51'		64.4'		64.4'		91'		91'		117.7'		117.7'		131'		144.4'																	
	C	(11.5m)	C	(15.56m)	C	(19.62m)	C	(19.62m)	C	(27.75m)	C	(27.75m)	C	(35.87m)	C	(35.87m)	C	(39.93m)	C	(44.0m)																
10'	68	126,300	74	103,600	78	88,100	78	44,000																												
12'	65	107,100	72	103,600	76	88,100	76	44,000																												
15'	60	80,100	68	77,300	73	75,500	73	44,000	79	44,000	79	30,800																								
20'	50	42,000	62	40,200	69	38,900	69	44,000	76	43,100	76	30,800	80	30,800	80	17,600																				
25'	38	26,100	55	24,900	64	23,800	64	30,200	73	27,400	73	30,800	77	29,100	77	17,600	79	17,600																		
30'	21	17,400	48	16,300	58	15,500	58	21,300	69	18,700	69	22,800	75	20,300	75	17,600	77	17,600	78	17,600																
35'			39	10,900	53	10,100	53	15,700	66	13,300	66	17,100	72	14,800	72	17,600	75	16,600	76	15,600																
40'			28	7,100	47	6,400	47	11,700	62	9,500	62	13,200	70	10,900	70	13,800	73	12,700	74	11,700																
45'			5	4,100	40	3,400	40	8,800	59	6,600	59	10,300	67	8,000	67	10,900	70	9,800	72	8,800																
50'							32	6,600	55	4,300	55	8,100	64	5,800	64	8,600	68	7,500	70	6,600																
60'												46	4,800			59	5,400	63	4,300																	
70'												36	2,600			52	3,200																			
80'																46	1,600																			
D	0°				40°				0°				55°				36°				64°				46°				63°				70°			
Telescoping conditions (%)																																				
Tele mode	I, II		I		I		II		I		II		I		II		II		I, II																	
2nd	0		50		100		0		100		0		100		0		50		100																	
3rd	0		0		0		33		33		66		66		100		100		100																	
4th	0		0		0		33		33		66		66		100		100		100																	
Top	0		0		0		33		33		66		66		100		100		100																	

LIFTING CAPACITIES AT ZERO DEGREE BOOM ANGLE ON OUTRIGGERS MID EXTENDED 15' 9" (4.8m) SPREAD,																				
7,700lbs COUNTERWEIGHT, 360° ROTATION																				
E \ A	37.7'		51'		64.4'		64.4'		91'		91'		117.7'		117.7'		131'		144.4'	
	B	(11.5m)	B	(15.56m)	B	(19.62m)	B	(19.62m)	B	(27.75m)	B	(27.75m)	B	(35.87m)	B	(35.87m)	B	(39.93m)	B	(44.0m)
0	31.7	15,100	45.0	4,100			58.3	4,000												
Tele	I, II		I				II													

A: Boom length in feet
B: Load radius in feet

C: Loaded boom angle (°)
D: Minimum boom angle (°) for indicated length (no load)

E: Boom angle (°)

TT-800XXL RATED LIFTING CAPACITIES (IN POUNDS)

ON OUTRIGGERS FULLY EXTENDED 23' 7-1/2" (7.2m) SPREAD, FRONT JACK EXTENDED																					
3,700lbs COUNTERWEIGHT, 360° ROTATION																					
B \ A	37.7'		51'		64.4'		64.4'		91'		91'		117.7'		117.7'		131'		144.4'		
	C	(11.5m)	C	(15.56m)	C	(19.62m)	C	(19.62m)	C	(27.75m)	C	(27.75m)	C	(35.87m)	C	(35.87m)	C	(39.93m)	C	(44.0m)	
10'	68	156,100	74	103,600	78	88,100	78	44,000													
12'	65	127,900	72	103,600	76	88,100	76	44,000													
15'	60	103,300	68	102,600	73	88,100	73	44,000	79	44,000	79	30,800									
20'	50	74,600	62	72,200	69	70,700	69	44,000	76	44,000	76	30,800	80	30,800	80	17,600					
25'	38	47,300	55	45,700	64	44,500	64	44,000	73	44,000	73	30,800	77	30,800	77	17,600	79	17,600			
30'	21	33,100	48	32,000	58	30,900	58	37,700	69	34,900	69	26,700	75	30,800	75	17,600	77	17,600	78	17,600	
35'			39	23,300	53	22,500	53	28,700	66	26,100	66	23,200	72	27,600	72	17,600	75	17,600	76	17,600	
40'			28	17,500	47	16,800	47	22,600	62	20,200	62	20,400	70	21,600	70	17,600	73	17,600	74	17,600	
45'			5	13,400	40	12,600	40	18,100	59	15,900	59	18,200	67	17,200	67	16,400	70	17,600	72	17,600	
50'					32	9,400	32	14,800	55	12,600	55	16,200	64	14,000	64	14,700	68	15,500	70	14,700	
60'									46	7,800	46	11,400	59	9,200	59	11,800	63	10,700	66	9,900	
70'									36	4,700	36	8,100	52	6,000	52	8,600	58	7,500	61	6,700	
80'									22	2,400	22	5,800	46	3,800	46	6,300	52	5,200	56	4,400	
90'																38	4,500	46	3,600		
100'																28	3,200	39	2,300		
110'																13	2,200				
D	0°										46°		0°		39°		56°				

Telescoping conditions (%)											
Tele mode	I, II	I	I	II	I	II	I	II	I	II	I, II
2nd	0	50	100	0	100	0	100	0	100	0	100
3rd	0	0	0	33	33	66	66	100	100	100	100
4th	0	0	0	33	33	66	66	100	100	100	100
Top	0	0	0	33	33	66	66	100	100	100	100

LIFTING CAPACITIES AT ZERO DEGREE BOOM ANGLE ON OUTRIGGERS FULLY EXTENDED 23' 7-1/2" (7.2m) SPREAD,														
3,700lbs COUNTERWEIGHT, 360° ROTATION, FRONT JACK EXTENDED														
E \ A	37.7'		51'		64.4'		64.4'		91'		91'		117.7'	
	B	(11.5m)	B	(15.56m)	B	(19.62m)	B	(19.62m)	B	(27.75m)	B	(27.75m)	B	(35.87m)
0	31.7	29,900	45.0	13,400	58.3	6,200	58.3	11,300	84.7	1,800	84.7	5,000	110	2,200
Tele	I, II		I		I		II		I		II		II	

A: Boom length in feet C: Loaded boom angle (°) E: Boom angle (°)
 B: Load radius in feet D: Minimum boom angle (°) for indicated length (no load)

ON OUTRIGGERS MID EXTENDED 15' 9" (4.8m) SPREAD, FRONT JACK EXTENDED																																				
3,700lbs COUNTERWEIGHT, 360° ROTATION																																				
B \ A	37.7'		51'		64.4'		64.4'		91'		91'		117.7'		117.7'		131'		144.4'																	
	C	(11.5m)	C	(15.56m)	C	(19.62m)	C	(19.62m)	C	(27.75m)	C	(27.75m)	C	(35.87m)	C	(35.87m)	C	(39.93m)	C	(44.0m)																
10'	68	123,800	74	103,600	78	88,100	78	44,000																												
12'	65	104,700	72	103,600	76	88,100	76	44,000																												
15'	60	71,300	68	68,500	73	66,800	73	44,000	79	44,000	79	30,800																								
20'	50	36,900	62	35,100	69	33,800	69	41,200	76	37,900	76	30,800	80	30,800	80	17,600																				
25'	38	22,500	55	21,300	64	20,200	64	26,500	73	23,700	73	28,200	77	25,500	77	17,600	79	17,600																		
30'	21	14,600	48	13,500	58	12,700	58	18,500	69	15,900	69	20,000	75	17,500	75	17,600	77	17,600	78	17,600																
35'			39	8,300	53	7,400	53	13,300	66	10,800	66	14,800	72	12,400	72	15,400	75	14,300	76	13,300																
40'			28	4,700	47	4,000	47	9,600	62	7,100	62	11,100	70	8,700	70	11,800	73	10,500	74	9,500																
45'					40	6,800	40	6,800	59	4,500	59	8,300	67	6,000	67	8,900	70	7,800	72	6,800																
50'					32	4,800					55	6,300			64	6,800	68	5,700																		
60'											46	3,300			59	3,900																				
70'											36	1,400			52	2,000																				
D	0°				47°				32°				59°				36°				67°				52°				68°				72°			

Telescoping conditions (%)											
Tele mode	I, II	I	I	II	I	II	I	II	I	II	I, II
2nd	0	50	100	0	100	0	100	0	100	0	100
3rd	0	0	0	33	33	66	66	100	100	100	100
4th	0	0	0	33	33	66	66	100	100	100	100
Top	0	0	0	33	33	66	66	100	100	100	100

LIFTING CAPACITIES AT ZERO DEGREE BOOM ANGLE ON OUTRIGGERS MID EXTENDED 15' 9" (4.8m) SPREAD,														
3,700lbs COUNTERWEIGHT, 360° ROTATION, FRONT JACK EXTENDED														
E \ A	37.7'		51'		64.4'		64.4'		91'		91'		117.7'	
	B	(11.5m)	B	(15.56m)	B	(19.62m)	B	(19.62m)	B	(27.75m)	B	(27.75m)	B	(35.87m)
0	31.7	12,300												
Tele	I, II		I		I		II		I		II		II	

A: Boom length in feet C: Loaded boom angle (°) E: Boom angle (°)
 B: Load radius in feet D: Minimum boom angle (°) for indicated length (no load)

TT-800XXL RATED LIFTING CAPACITIES (IN POUNDS)

ON OUTRIGGERS FULLY EXTENDED 23' 7-1/2" (7.2m) SPREAD, FRONT JACK EXTENDED																				
0 lbs COUNTERWEIGHT, 360° ROTATION																				
B \ A	37.7'		51'		64.4'		64.4'		91'		91'		117.7'		117.7'		131'		144.4'	
	C	(11.5m)	C	(15.56m)	C	(19.62m)	C	(19.62m)	C	(27.75m)	C	(27.75m)	C	(35.87m)	C	(35.87m)	C	(39.93m)	C	(44.0m)
10'	68	152,600	74	103,600	78	88,100	78	44,000												
12'	65	127,100	72	103,600	76	88,100	76	44,000												
15'	60	100,900	68	100,200	73	88,100	73	44,000	79	44,000	79	30,800								
20'	50	68,600	62	66,200	69	64,700	69	44,000	76	44,000	76	30,800	80	30,800	80	17,600				
25'	38	43,200	55	41,700	64	40,400	64	44,000	73	44,000	73	30,800	77	30,800	77	17,600	79	17,600		
30'	21	30,000	48	28,800	58	27,800	58	34,600	69	31,700	69	26,700	75	30,800	75	17,600	77	17,600	78	17,600
35'			39	20,800	53	20,000	53	26,200	66	23,500	66	23,200	72	25,100	72	17,600	75	17,600	76	17,600
40'			28	15,400	47	14,600	47	20,500	62	18,000	62	20,400	70	19,500	70	17,600	73	17,600	74	17,600
45'			5	11,300	40	10,500	40	16,300	59	13,800	59	17,700	67	15,300	67	16,400	70	17,000	72	16,200
50'					32	7,500	32	13,100	55	10,600	55	14,400	64	12,100	64	14,700	68	13,700	70	12,900
60'									46	6,300	46	9,900	59	7,600	59	10,300	63	9,200	66	8,400
70'									36	3,400	36	6,800	52	4,700	52	7,300	58	6,200	61	5,400
80'												22	4,700			46	5,200	52	4,200	
90'																38	3,600	46	2,600	
100'																28	2,400			
110'																13	1,400			
D	0°				36°				0°				52°		13°		46°		61°	
Telescoping conditions (%)																				
Tele mode	I, II		I		I		II		I		II		I		II		II		I, II	
2nd	0		50		100		0		100		0		100		0		50		100	
3rd	0		0		0		33		33		66		66		100		100		100	
4th	0		0		0		33		33		66		66		100		100		100	
Top	0		0		0		33		33		66		66		100		100		100	

LIFTING CAPACITIES AT ZERO DEGREE BOOM ANGLE ON OUTRIGGERS FULLY EXTENDED 23' 7-1/2" (7.2m) SPREAD,																				
0 lbs COUNTERWEIGHT, 360° ROTATION, FRONT JACK EXTENDED																				
E \ A	37.7'		51'		64.4'		64.4'		91'		91'		117.7'		117.7'		131'		144.4'	
	B	(11.5m)	B	(15.56m)	B	(19.62m)	B	(19.62m)	B	(27.75m)	B	(27.75m)	B	(35.87m)	B	(35.87m)	B	(39.93m)	B	(44.0m)
0	31.7	26,500	45.0	11,300	58.3	4,500	58.3	9,600												
Tele mode	I, II		I		I		II		II		II		II		II		II		II	

A: Boom length in feet C: Loaded boom angle (°) E: Boom angle (°)
 B: Load radius in feet D: Minimum boom angle (°) for indicated length (no load)

ON OUTRIGGERS MID EXTENDED 15' 9" (4.8m) SPREAD, FRONT JACK EXTENDED																				
0 lbs COUNTERWEIGHT, 360° ROTATION																				
B \ A	37.7'		51'		64.4'		64.4'		91'		91'		117.7'		117.7'		131'		144.4'	
	C	(11.5m)	C	(15.56m)	C	(19.62m)	C	(19.62m)	C	(27.75m)	C	(27.75m)	C	(35.87m)	C	(35.87m)	C	(39.93m)	C	(44.0m)
10'	68	121,400	74	103,600	78	88,100	78	44,000												
12'	65	102,400	72	103,600	76	88,100	76	44,000												
15'	60	63,100	68	60,400	73	58,700	73	44,000	79	44,000	79	30,800								
20'	50	32,100	62	30,300	69	29,000	69	36,400	76	33,100	76	30,800	80	30,800	80	17,600				
25'	38	19,100	55	17,900	64	16,800	64	23,200	73	20,300	73	24,800	77	22,100	77	17,600	79	17,600		
30'	21	11,600	48	10,500	58	9,300	58	15,800	69	12,900	69	17,400	75	14,800	75	17,600	77	16,800	78	15,800
35'			39	5,600	53	4,700	53	10,800	66	8,100	66	12,300	72	9,700	72	13,000	75	11,700	76	10,700
40'			28	2,400			47	7,400	62	4,900	62	8,900	70	6,400	70	9,500	73	8,300	74	7,300
45'							40	4,900			59	6,400			67	7,000	70	5,900		
50'							32	3,100			55	4,600			64	5,200				
60'											46	2,000			59	2,600				
D	0°		28°		53°		32°		62°		46°		70°		59°		70°		74°	
Telescoping conditions (%)																				
Tele mode	I, II		I		I		II		I		II		I		II		II		I, II	
2nd	0		50		100		0		100		0		100		0		50		100	
3rd	0		0		0		33		33		66		66		100		100		100	
4th	0		0		0		33		33		66		66		100		100		100	
Top	0		0		0		33		33		66		66		100		100		100	

LIFTING CAPACITIES AT ZERO DEGREE BOOM ANGLE ON OUTRIGGERS MID EXTENDED 15' 9" (4.8m) SPREAD,																				
0 lbs COUNTERWEIGHT, 360° ROTATION, FRONT JACK EXTENDED																				
E \ A	37.7'		51'		64.4'		64.4'		91'		91'		117.7'		117.7'		131'		144.4'	
	B	(11.5m)	B	(15.56m)	B	(19.62m)	B	(19.62m)	B	(27.75m)	B	(27.75m)	B	(35.87m)	B	(35.87m)	B	(39.93m)	B	(44.0m)
0	31.7	9,400																		
Tele	I, II		I		I		II		II		II		II		II		II		II	

A: Boom length in feet C: Loaded boom angle (°) E: Boom angle (°)
 B: Load radius in feet D: Minimum boom angle (°) for indicated length (no load)

TT-800XXL RATED LIFTING CAPACITIES (IN POUNDS)

ON OUTRIGGERS MIN EXTENDED 6' 9-7/8" (2.08m) SPREAD, 360° ROTATION, FRONT JACK EXTENDED									
Load Radius in Feet	37.7' (11.5m) Boom								
	Counterweight in pounds								
	15,700		7,700		3,700		0		
	C		C		C		C		
10'	68	57,700	68	43,100	68	35,800	68	29,100	
12'	65	41,500	65	30,200	65	24,700	65	19,500	
15'	60	27,500	60	19,200	60	15,000	60	11,200	
20'	50	15,400	50	9,600	50	6,700	50	4,000	
25'	38	8,900	38	4,400	38	2,200			
30'	21	4,900							
D	0°		38° / 0°*		38° / 0°*		50° / 0°*		
Telescoping conditions (%)									
Tele mode	I, II		I, II		I, II		I, II		
2nd	0		0		0		0		
3rd	0		0		0		0		
4th	0		0		0		0		
Top	0		0		0		0		

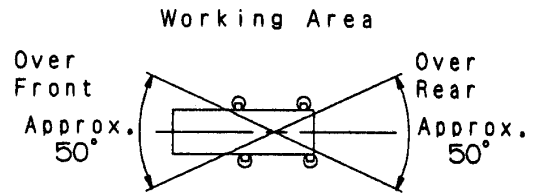
C: Loaded boom angle (°)

D: Minimum boom angle (°) for indicated length (no load)

*: When Working Area is only Over Front and Over Rear.

LIFTING CAPACITIES AT ZERO DEGREE BOOM ANGLE ON OUTRIGGERS MIN EXTENDED 6' 9-7/8" (2.08m) SPREAD, FRONT JACK EXTENDED										
Boom Angle	360° Rotation		Over Front and Over Rear							
	37.7' (11.5m) Boom									
	Counterweight in pounds									
	15,700		7,700		3,700		0			
	B		B		B		B			
0°	31.7	4,000	31.7	2,200	31.7	2,200	31.7	2,200		
Tele mode	I, II		I, II		I, II		I, II			

B: Load radius in feet



NOTE: - The lifting capacity data stored in the LOAD MOMENT INDICATOR (AML-L) is based on the standard number of parts of line listed in the chart.

- Standard number of parts of line for each boom length should be according to the following table.

Boom Length in Feet (meters)	37.7' (11.5)	37.7' to 51' (11.5 to 15.56)	51' to 64.4' (15.56 to 19.62)	64.4' to 91' (19.62 to 27.75)	91' to 144.4' (27.75 to 44.0)	Single top Jib
Number of parts of line	15	12	10	5	4	1

TT-800XXL RATED LIFTING CAPACITIES (IN POUNDS)

ON OUTRIGGERS FULLY EXTENDED 23' 7-1/2" (7.2m) SPREAD, FRONT JACK EXTENDED 15,700lbs COUNTERWEIGHT, 360° ROTATION													
Boom Angle in Degree	144.4' (44.0m) Boom + 32.5' (9.9m) Jib						Boom Angle in Degree	144.4' (44.0m) Boom + 58.1' (17.7m) Jib					
	3.5° Tilt		25° Tilt		45° Tilt			3.5° Tilt		25° Tilt		45° Tilt	
	R	W	R	W	R	W		R	W	R	W	R	W
80°	33.6	9,900	45.3	8,800	52.7	8,100	80°	40.6	5,900	65.3	5,400	74.7	3,400
75°	50.5	9,900	61.7	8,700	67.5	7,300	75°	60.6	5,900	82.8	4,800	90.1	3,400
70°	66.0	9,700	75.5	7,600	81.1	6,600	70°	79.2	5,900	99.0	4,200	105.0	3,400
65°	80.1	7,900	89.2	6,600	93.9	6,000	65°	96.2	4,900	115.0	3,700	119.0	3,100
60°	92.9	5,600	102.0	5,100	105.0	5,100	60°	111.0	3,700	129.0	3,300	131.0	2,900
55°	105.0	3,800	112.0	3,600	115.0	3,600	55°	125.0	2,300	141.0	2,300	142.0	2,100
50°	116.0	2,500	123.0	2,400	125.0	2,500							
Boom Angle in Degree	117.7' (35.87m) Boom (telescoping mode I) + 32.5' (9.9m) Jib						Boom Angle in Degree	117.7' (35.87m) Boom (telescoping mode I) + 58.1' (17.7m) Jib					
	3.5° Tilt		25° Tilt		45° Tilt			3.5° Tilt		25° Tilt		45° Tilt	
	R	W	R	W	R	W		R	W	R	W	R	W
80°	26.0	11,000	37.8	10,300	45.1	8,300	80°	33.2	6,300	55.3	5,700	66.9	3,700
75°	39.9	11,000	51.0	10,000	57.3	8,000	75°	49.7	6,300	70.2	5,200	80.3	3,700
70°	53.6	11,000	63.2	8,800	68.6	7,400	70°	65.7	6,300	84.2	4,700	92.5	3,600
65°	66.1	9,900	74.8	7,700	79.0	6,700	65°	80.2	6,000	97.2	4,200	104.0	3,500
60°	77.7	8,400	85.6	6,800	89.0	6,200	60°	93.4	5,100	109.0	3,800	114.0	3,300
55°	88.0	6,600	95.5	6,000	98.3	5,600	55°	106.0	4,500	120.0	3,500	123.0	3,100
50°	97.0	4,900	104.0	4,600	106.0	4,600	50°	116.0	3,200	129.0	3,000	131.0	2,900
45°	106.0	3,600	112.0	3,400	114.0	3,500	45°	126.0	2,200	137.0	2,100	139.0	2,100
40°	114.0	2,700	119.0	2,600			40°	135.0	1,500	145.0	1,500		
35°	121.0	2,000	126.0	1,900									
30°	127.0	1,400	131.0	1,400									
25°	133.0	1,000											
Boom Angle in Degree	117.7' (35.87m) Boom (telescoping mode II) + 32.5' (9.9m) Jib						Boom Angle in Degree	117.7' (35.87m) Boom (telescoping mode II) + 58.1' (17.7m) Jib					
	3.5° Tilt		25° Tilt		45° Tilt			3.5° Tilt		25° Tilt		45° Tilt	
	R	W	R	W	R	W		R	W	R	W	R	W
80°	27.0	11,000	39.3	10,300	46.5	8,300	80°	34.1	6,300	56.7	5,700	67.9	3,700
75°	41.4	11,000	52.2	9,300	58.4	7,700	75°	50.8	6,300	71.5	5,100	81.3	3,700
70°	55.3	10,600	64.5	8,000	69.6	6,900	70°	66.8	6,300	84.7	4,400	93.2	3,600
65°	67.2	8,600	75.9	7,000	80.0	6,200	65°	81.0	5,300	97.2	3,900	104.0	3,300
60°	78.6	7,100	86.6	6,200	89.6	5,700	60°	94.2	4,500	109.0	3,500	113.0	3,000
55°	88.9	5,900	96.0	5,300	98.1	5,200	55°	106.0	3,900	121.0	3,100	127.0	2,800
50°	98.5	5,000	105.0	4,600	106.0	4,500	50°	117.0	3,300	132.0	2,800	138.0	2,700
45°	108.0	4,300	113.0	4,100	114.0	4,000	45°	128.0	2,800	141.0	2,600	145.0	2,500
40°	116.0	3,800	120.0	3,600			40°	137.0	2,400	149.0	2,300		
35°	124.0	3,400	127.0	3,300			35°	145.0	2,100	156.0	2,000		
30°	130.0	3,100	133.0	3,000			30°	152.0	1,900	161.0	1,800		
25°	136.0	2,800	137.0	2,700			25°	159.0	1,700	164.0	1,600		

R: Load radius in feet

W: Rated lifting capacity in pounds

ON OUTRIGGERS MID EXTENDED 15' 9" (4.8m) SPREAD, FRONT JACK EXTENDED 15,700lbs COUNTERWEIGHT, 360° ROTATION													
Boom Angle in Degree	144.4' (44.0m) Boom + 32.5' (9.9m) Jib						Boom Angle in Degree	144.4' (44.0m) Boom + 58.1' (17.7m) Jib					
	3.5° Tilt		25° Tilt		45° Tilt			3.5° Tilt		25° Tilt		45° Tilt	
	R	W	R	W	R	W		R	W	R	W	R	W
80°	33.6	9,900	45.3	8,800	52.7	8,100	80°	40.6	5,900	65.3	5,400	74.7	3,400
75°	49.7	9,100	60.4	7,600	67.0	7,100	75°	60.0	5,800	82.6	4,800	90.1	3,400
70°	62.1	4,900	72.3	4,300	78.3	4,200	70°	73.8	2,800	94.8	2,500	103.0	2,300
Boom Angle in Degree	117.7' (35.87m) Boom (telescoping mode I) + 32.5' (9.9m) Jib						Boom Angle in Degree	117.7' (35.87m) Boom (telescoping mode I) + 58.1' (17.7m) Jib					
	3.5° Tilt		25° Tilt		45° Tilt			3.5° Tilt		25° Tilt		45° Tilt	
	R	W	R	W	R	W		R	W	R	W	R	W
80°	26.0	11,000	37.8	10,300	45.1	8,300	80°	33.2	6,300	55.3	5,700	66.9	3,700
75°	39.9	11,000	51.0	10,000	57.3	8,000	75°	49.7	6,300	70.2	5,200	80.3	3,700
70°	52.5	8,500	62.5	7,200	68.4	6,800	70°	64.9	5,500	84.0	4,500	92.5	3,600
65°	63.8	5,100	73.1	4,400	78.1	4,300	65°	77.3	3,000	95.0	2,600	103.0	2,400
60°	74.5	2,800	83.1	2,500	87.5	2,500							
Boom Angle in Degree	117.7' (35.87m) Boom (telescoping mode II) + 32.5' (9.9m) Jib						Boom Angle in Degree	117.7' (35.87m) Boom (telescoping mode II) + 58.1' (17.7m) Jib					
	3.5° Tilt		25° Tilt		45° Tilt			3.5° Tilt		25° Tilt		45° Tilt	
	R	W	R	W	R	W		R	W	R	W	R	W
80°	27.0	11,000	39.3	10,300	46.5	8,300	80°	34.1	6,300	56.7	5,700	67.9	3,700
75°	41.4	11,000	52.2	9,300	58.4	7,700	75°	50.8	6,300	71.5	5,100	81.3	3,700
70°	55.4	10,300	64.5	8,000	69.6	6,900	70°	66.8	6,300	84.7	4,400	93.2	3,600
65°	66.1	6,800	75.3	6,000	79.7	5,700	65°	80.0	4,400	97.2	3,800	104.0	3,300
60°	76.7	4,600	85.0	4,100	88.7	4,000	60°	92.0	2,800	108.0	2,500	113.0	2,300
55°	86.3	3,100	94.0	2,800	97.3	2,800	55°	103.0	1,700	119.0	1,500	125.0	1,400
50°	95.5	2,000	103.0	1,800	105.0	1,800							
45°	104.0	1,100	110.0	1,000	113.0	1,100							

R: Load radius in feet

W: Rated lifting capacity in pounds

TT-800XXL RATED LIFTING CAPACITIES (IN POUNDS)

ON OUTRIGGERS FULLY EXTENDED 23' 7-1/2" (7.2m) SPREAD, FRONT JACK EXTENDED													
7,700lbs COUNTERWEIGHT, 360° ROTATION													
Boom Angle in Degree	144.4' (44.0m) Boom + 32.5' (9.9m) Jib						Boom Angle in Degree	144.4' (44.0m) Boom + 58.1' (17.7m) Jib					
	3.5° Tilt		25° Tilt		45° Tilt			3.5° Tilt		25° Tilt		45° Tilt	
	R	W	R	W	R	W		R	W	R	W	R	W
80°	33.6	9,900	45.3	8,800	52.7	8,100	80°	40.6	5,900	65.3	5,400	74.7	3,400
75°	50.5	9,900	61.7	8,700	67.5	7,300	75°	60.6	5,900	82.8	4,800	90.1	3,400
70°	64.7	8,200	74.7	7,100	80.6	6,600	70°	79.2	5,900	99.0	4,200	105.0	3,400
65°	77.1	5,000	86.6	4,500	91.8	4,400	65°	93.4	3,900	114.0	3,600	118.0	3,100
60°	89.6	2,900											
Boom Angle in Degree	117.7' (35.87m) Boom (telescoping mode I) + 32.5' (9.9m) Jib						Boom Angle in Degree	117.7' (35.87m) Boom (telescoping mode I) + 58.1' (17.7m) Jib					
	3.5° Tilt		25° Tilt		45° Tilt			3.5° Tilt		25° Tilt		45° Tilt	
	R	W	R	W	R	W		R	W	R	W	R	W
80°	26.0	11,000	37.8	10,300	45.1	8,300	80°	33.2	6,300	55.3	5,700	66.9	3,700
75°	39.9	11,000	51.0	10,000	57.3	8,000	75°	49.7	6,300	70.2	5,200	80.3	3,700
70°	53.6	11,000	63.2	8,800	68.6	7,400	70°	65.7	6,300	84.2	4,700	92.5	3,600
65°	66.1	9,900	74.8	7,700	79.0	6,700	65°	80.2	6,000	97.2	4,200	104.0	3,500
60°	76.9	6,800	85.2	6,100	88.8	6,000	60°	92.7	4,500	109.0	3,800	114.0	3,300
55°	86.8	4,700	94.5	4,300	97.6	4,300	55°	104.0	2,900	119.0	2,700	123.0	2,500
50°	96.0	3,200	103.0	3,000	106.0	3,000							
45°	105.0	2,100	111.0	1,900	113.0	2,000							
Boom Angle in Degree	117.7' (35.87m) Boom (telescoping mode II) + 32.5' (9.9m) Jib						Boom Angle in Degree	117.7' (35.87m) Boom (telescoping mode II) + 58.1' (17.7m) Jib					
	3.5° Tilt		25° Tilt		45° Tilt			3.5° Tilt		25° Tilt		45° Tilt	
	R	W	R	W	R	W		R	W	R	W	R	W
80°	27.0	11,000	39.3	10,300	46.5	8,300	80°	34.1	6,300	56.7	5,700	67.9	3,700
75°	41.4	11,000	52.2	9,300	58.4	7,700	75°	50.8	6,300	71.5	5,100	81.3	3,700
70°	55.3	10,600	64.5	8,000	69.6	6,900	70°	66.8	6,300	84.7	4,400	93.2	3,600
65°	67.2	8,600	75.9	7,000	80.0	6,200	65°	81.0	5,300	97.2	3,900	104.0	3,300
60°	78.6	7,100	86.6	6,200	89.6	5,700	60°	94.2	4,500	109.0	3,500	113.0	3,000
55°	88.9	5,900	96.0	5,300	98.1	5,200	55°	106.0	3,900	121.0	3,100	127.0	2,800
50°	98.7	5,000	105.0	4,600	106.0	4,500	50°	117.0	3,200	132.0	2,800	138.0	2,700
45°	107.0	3,900	113.0	3,600	113.0	3,700	45°	127.0	2,400	141.0	2,300	145.0	2,200
40°	115.0	3,000	120.0	2,900			40°	136.0	1,800	149.0	1,700		
35°	122.0	2,400	126.0	2,300			35°	144.0	1,300	155.0	1,200		
30°	129.0	1,900	132.0	1,800									
25°	135.0	1,500	137.0	1,500									

R: Load radius in feet
W: Rated lifting capacity in pounds

ON OUTRIGGERS FULLY EXTENDED 23' 7-1/2" (7.2m) SPREAD, FRONT JACK EXTENDED													
3,700lbs COUNTERWEIGHT, 360° ROTATION													
Boom Angle in Degree	144.4' (44.0m) Boom + 32.5' (9.9m) Jib						Boom Angle in Degree	144.4' (44.0m) Boom + 58.1' (17.7m) Jib					
	3.5° Tilt		25° Tilt		45° Tilt			3.5° Tilt		25° Tilt		45° Tilt	
	R	W	R	W	R	W		R	W	R	W	R	W
80°	33.6	9,900	45.3	8,800	52.7	8,100	80°	40.6	5,900	65.3	5,400	74.7	3,400
75°	50.5	9,900	61.7	8,700	67.5	7,300	75°	60.6	5,900	82.8	4,800	90.1	3,400
70°	64.7	8,200	74.7	7,100	80.6	6,600	70°	78.0	5,400	99.0	4,200	105.0	3,400
65°	77.1	5,000	86.6	4,500	91.8	4,400							
60°	89.6	2,900											
Boom Angle in Degree	117.7' (35.87m) Boom (telescoping mode I) + 32.5' (9.9m) Jib						Boom Angle in Degree	117.7' (35.87m) Boom (telescoping mode I) + 58.1' (17.7m) Jib					
	3.5° Tilt		25° Tilt		45° Tilt			3.5° Tilt		25° Tilt		45° Tilt	
	R	W	R	W	R	W		R	W	R	W	R	W
80°	26.0	11,000	37.8	10,300	45.1	8,300	80°	33.2	6,300	55.3	5,700	66.9	3,700
75°	39.9	11,000	51.0	10,000	57.3	8,000	75°	49.7	6,300	70.2	5,200	80.3	3,700
70°	53.6	11,000	63.2	8,800	68.6	7,400	70°	65.7	6,300	84.2	4,700	92.5	3,600
65°	65.4	8,500	74.6	7,400	79.0	6,700	65°	80.0	5,600	97.2	4,200	104.0	3,500
60°	76.2	5,600	84.6	5,000	88.5	4,900	60°	91.7	3,500	108.0	3,200	114.0	2,900
55°	86.3	3,600	93.9	3,400	97.2	3,400							
50°	95.7	2,300	103.0	2,100	105.0	2,100							
Boom Angle in Degree	117.7' (35.87m) Boom (telescoping mode II) + 32.5' (9.9m) Jib						Boom Angle in Degree	117.7' (35.87m) Boom (telescoping mode II) + 58.1' (17.7m) Jib					
	3.5° Tilt		25° Tilt		45° Tilt			3.5° Tilt		25° Tilt		45° Tilt	
	R	W	R	W	R	W		R	W	R	W	R	W
80°	27.0	11,000	39.3	10,300	46.5	8,300	80°	34.1	6,300	56.7	5,700	67.9	3,700
75°	41.4	11,000	52.2	9,300	58.4	7,700	75°	50.8	6,300	71.5	5,100	81.3	3,700
70°	55.3	10,600	64.5	8,000	69.6	6,900	70°	66.8	6,300	84.7	4,400	93.2	3,600
65°	67.2	8,600	75.9	7,000	80.0	6,200	65°	81.0	5,300	97.2	3,900	104.0	3,300
60°	78.6	7,100	86.6	6,200	89.6	5,700	60°	94.2	4,500	109.0	3,500	113.0	3,000
55°	88.5	5,500	95.8	5,000	98.1	4,900	55°	106.0	3,500	121.0	3,100	127.0	2,800
50°	97.5	4,100	104.0	3,800	106.0	3,800	50°	116.0	2,500	131.0	2,300	138.0	2,200
45°	106.0	3,000	112.0	2,900	113.0	2,900	45°	126.0	1,700	140.0	1,600	144.0	1,600
40°	114.0	2,300	119.0	2,100			40°	135.0	1,100				
35°	122.0	1,700	126.0	1,600									
30°	128.0	1,200	132.0	1,200									

R: Load radius in feet
W: Rated lifting capacity in pounds

TT-800XXL RATED LIFTING CAPACITIES (IN POUNDS)

ON OUTRIGGERS FULLY EXTENDED 23' 7-1/2" (7.2m) SPREAD, FRONT JACK EXTENDED 0 lbs COUNTERWEIGHT, 360° ROTATION													
Boom Angle in Degree	144.4' (44.0m) Boom + 32.5' (9.9m) Jib						Boom Angle in Degree	144.4' (44.0m) Boom + 58.1' (17.7m) Jib					
	3.5° Tilt		25° Tilt		45° Tilt			3.5° Tilt		25° Tilt		45° Tilt	
	R	W	R	W	R	W		R	W	R	W	R	W
80°	33.6	9,900	45.3	8,800	52.7	8,100	80°	40.6	5,900	65.3	5,400	74.7	3,400
75°	50.5	9,900	61.7	8,700	67.5	7,300	75°	60.6	5,900	82.8	4,800	90.1	3,400
70°	63.6	6,900	73.9	6,000	79.9	5,800	70°	76.1	4,300	97.5	3,800	105.0	3,400
65°	76.3	3,900	85.9	3,500	90.9	3,500							
Boom Angle in Degree	117.7' (35.87m) Boom (telescoping mode I) + 32.5' (9.9m) Jib						Boom Angle in Degree	117.7' (35.87m) Boom (telescoping mode I) + 58.1' (17.7m) Jib					
	3.5° Tilt		25° Tilt		45° Tilt			3.5° Tilt		25° Tilt		45° Tilt	
	R	W	R	W	R	W		R	W	R	W	R	W
80°	26.0	11,000	37.8	10,300	45.1	8,300	80°	33.2	6,300	55.3	5,700	66.9	3,700
75°	39.9	11,000	51.0	10,000	57.3	8,000	75°	49.7	6,300	70.2	5,200	80.3	3,700
70°	53.6	11,000	63.2	8,800	68.6	7,400	70°	65.7	6,300	84.2	4,700	92.5	3,600
65°	65.0	7,200	73.9	6,200	78.8	6,000	65°	78.8	4,600	96.7	4,000	104.0	3,500
60°	75.6	4,500	83.9	4,000	88.1	4,000	60°	90.7	2,700	107.0	2,400		
55°	85.6	2,700	93.5	2,500	96.9	2,500							
Boom Angle in Degree	117.7' (35.87m) Boom (telescoping mode II) + 32.5' (9.9m) Jib						Boom Angle in Degree	117.7' (35.87m) Boom (telescoping mode II) + 58.1' (17.7m) Jib					
	3.5° Tilt		25° Tilt		45° Tilt			3.5° Tilt		25° Tilt		45° Tilt	
	R	W	R	W	R	W		R	W	R	W	R	W
80°	27.0	11,000	39.3	10,300	46.5	8,300	80°	34.1	6,300	56.7	5,700	67.9	3,700
75°	41.4	11,000	52.2	9,300	58.4	7,700	75°	50.8	6,300	71.5	5,100	81.3	3,700
70°	55.3	10,600	64.5	8,000	69.6	6,900	70°	66.8	6,300	84.7	4,400	93.2	3,600
65°	67.3	8,600	75.9	7,000	80.0	6,200	65°	81.0	5,300	97.2	3,900	104.0	3,300
60°	78.2	6,400	86.2	5,700	89.6	5,500	60°	93.7	4,100	109.0	3,500	113.0	3,000
55°	87.7	4,500	95.0	4,100	97.8	4,100	55°	105.0	2,800	120.0	2,500	126.0	2,400
50°	96.6	3,200	103.0	3,000	105.0	3,000	50°	115.0	1,800	130.0	1,700	137.0	1,600
45°	105.0	2,300	112.0	2,100	113.0	2,200							
40°	113.0	1,500	119.0	1,500									

R: Load radius in feet

W: Rated lifting capacity in pounds

WARNING AND OPERATING INSTRUCTIONS FOR LIFTING CAPACITIES

GENERAL

1. RATED LIFTING CAPACITIES apply only to the machine as originally manufactured and normally equipped by TADANO LTD. Modifications to the machine or use of optional equipment other than that specified can result in a reduction of capacity.
2. Hydraulic cranes can be hazardous if improperly operated or maintained. Operation and maintenance of this machine must be in compliance with information in the **Operation and Maintenance Manual** supplied with crane. If this manual is missing, order a replacement through the distributor.
3. The operator and other personnel associated with this machine shall fully acquaint themselves with the latest American National Standards Institute (ANSI) safety standards for cranes.

SET UP

1. Rated lifting capacities on the load chart are the maximum allowable crane capacities. They are based on the machine standing level on firm supporting surface under ideal job conditions. Depending on the nature of the supporting surface, it may be necessary to have structural supports under the outrigger floats to spread the loads to a larger surface.
2. For outrigger operation, outriggers shall be properly extended with tires free of supporting surface before operating crane. The front jack must be properly extended.
3. When operating crane on outriggers fully retracted, do not exceed 71° maximum boom angle. Loss of backward stability will occur causing a backward tipping condition.

OPERATION

1. Rated lifting capacities have been tested to and meet minimum requirements of SAE J1063-Cantilevered Boom Crane Structures Method of Test.
2. Rated lifting capacities do not exceed 85% of the tipping load on outriggers fully extended as determined by SAE J765-Crane Stability Test Code.
Rated lifting capacities for partially extended outriggers are determined by this formula, Rated Lifting Capacities = (Tipping Load - 0.1 x Tip Reaction) / 1.25.
3. Rated lifting capacities above bold lines in the chart are based on crane strength and those below, on its stability. They are based on actual load radius increased by boom deflection.
4. The weight of handling device such as hook blocks, slings, etc., must be considered as part of the load and must be deducted from the lifting capacities.
5. Rated lifting capacities are based on freely suspended loads and make no allowance for such factors as the effect of wind, sudden stopping of loads, supporting surface conditions, operating speeds, side loads, etc. Side pull on the boom or jib is extremely dangerous.
6. Rated lifting capacities do not account for the effects of wind on a lifted load or boom. Rated lifting capacities and boom length shall be appropriately reduced, when wind velocity exceeds 20 mph (9 m/sec.).
7. Rated lifting capacities at load radius shall not be exceeded.
Do not tip the crane to determine allowable loads.
8. Do not operate at boom lengths, radii, or boom angle, where no capacities are shown. Crane may overturn without any load on the hook.

9. When boom length is between values listed, refer to the rated lifting capacities of the next longer and next shorter booms for the same radius. The lesser of the two rated lifting capacities shall be used.
10. When making lifts at a load radius not shown, use the next longer radius to determine allowable capacity.
11. Load per line should not exceed 11,000 lbs. (5,000kg) for main winch and auxiliary winch.
12. Check the actual number of parts of line with LOAD MOMENT INDICATOR (AML-L) before operation. Maximum lifting capacity is restricted by the number of parts of line of LOAD MOMENT INDICATOR (AML-L). Limited capacity is as determined from the formula, Single line pull for main winch (11,000 lbs.) x number of parts of line.
13. The boom angle before loading should be greater to account for deflection. For rated lifting capacities, the loaded boom angle and the load radius is for reference only.
14. The 37.7' (11.5m) boom length capacities are based on boom fully retracted. If not fully retracted [less than 51' (15.56m) boom length], use the rated lifting capacities for the 51' (15.56m) boom length.
15. Extension or retraction of the boom with loads may be attempted within the limits of the RATED LIFTING CAPACITIES. The ability to telescope loads is limited by hydraulic pressure, boom angle, boom length, crane maintenance, etc.
16. For lifting capacity of single top, reduce the rated lifting capacities of relevant boom according to a weight reductions for auxiliary load handling equipment. Capacities of single top shall not exceed 11,000 lbs. (5,000kg) including main hook.
17. When base jib or top jib or both jib removing, jib state switch select removed.
18. When erecting and stowing jib, be sure to retain it by hand or by other means to prevent its free movement.
19. Use "ANTI-TWO BLOCK" disable switch when erecting and stowing jib and when stowing hook block. While the switch is pushed, the hoist does not stop, even when overwind condition occurs.
20. For boom length less than 144.4' (44.0m) and longer than 117.7' (35.87m) with jib, rated lifting capacities are determined by loaded boom angle only in the column headed "144.4' (44.0m) boom + jib".
For boom length less than 117.7' (35.87m) with jib, rated lifting capacities are determined by loaded boom angle only in the column headed "117.7' (35.87m) boom + jib". For angles not shown, use the next lower loaded boom angle to determine allowable capacity.
21. When lifting a load by using jib (aux. winch) and boom (main winch) simultaneously, do the following:
 - Enter the operation status as jib operation, not as boom operation.
 - Before starting operation, make sure that mass of load is within rated lifting capacity for jib.
22. Before telescoping the boom, set the telescoping mode selector switch to MODE I or MODE II with the boom fully retracted. A change of the telescoping mode is not permissible when the boom has been partially or fully extended.

DEFINITIONS

1. Load Radius: Horizontal distance from a projection of the axis of rotation to supporting surface before loading to the center of the vertical hoist line or tackle with load applied.
2. Loaded Boom Angle: The angle between the boom base section and the horizontal, after lifting the rated lifting capacity at the load radius.
3. Working Area: Area measured in a circular arc about the centerline of rotation.
4. Freely Suspended Load: Load hanging free with no direct external force applied except by the hoist line.
5. Side Load: Horizontal side force applied to the lifted load either on the ground or in the air.

WARNING AND OPERATING INSTRUCTIONS FOR USING THE LOAD MOMENT INDICATOR (AML-L)

1. When operating crane on outriggers:
 - Set Stater switch to "ON" position.
 - Press the outrigger mode select key to register the outriggers condition with the LOAD MOMENT INDICATOR (AML-L). Press the register key. The outrigger status symbol will change from flashing to a solid light.
 - Press the lift mode select key to select the lift status that corresponds to the actual boom configuration. Each time the lift mode select key is pressed, the status changes. Press the register key to register the lift status with the LOAD MOMENT INDICATOR (AML-L). The lift status symbol will change from flashing to a solid light.
 - When mounting and stowing the jib, select the jib set status. (The jib state symbol will be flashing.)
2. The swing does not automatically stop if the crane become overloaded.
3. During crane operation, make sure that displays on the front panel of the LOAD MOMENT INDICATOR (AML-L) are in accordance with actual operating conditions.
4. The displayed values of LOAD MOMENT INDICATOR (AML-L) are based on freely suspended loads and make no allowance for such factors as the effect of wind, sudden stopping of loads, supporting surface conditions, operating speed, side loads, etc. For safe operation, it is recommended that lifted loads be appropriately reduced when extending and lowering the boom or swinging.
5. LOAD MOMENT INDICATOR (AML-L) is intended as an aid to the operator. Under no condition should it be relied upon to replace use of capacity charts and operating instructions. Relying solely upon the LOAD MOMENT INDICATOR (AML-L) in place of good operating practice can cause an accident. The operator must exercise caution to assure safety.

TT-800XXL Axle weight distribution chart

	Pounds			Kilograms		
	GVW	Front	Rear	GVW	Front	Rear
Base machine with 105.7gal.(400L)fuel and spare tire no counterweight	89,250	42,150	47,100	40,485	19,122	21,363
Remove						
1. Auxiliary hoist with 436' (133m) of 3/4" (19mm)	-1,980	640	-2,620	-900	289	-1,189
2. 5.5 ton (5.0 metric ton) hook ball	-290	-340	50	-132	-154	22
3. Top jib (25.6')	-670	-460	-210	-306	-210	-96
4. Base jib (32.5')	-1,920	-2,190	270	-872	-993	121
5. Auxiliary lifting sheave	-110	-190	80	-50	-88	38
6. Spare tire	-360	140	-500	-165	62	-227
Add:						
1. Counterweight 3,700lbs on upper	3,700	-1,750	5,450	1,680	-794	2,474
2. Counterweight 3,700lbs + 4,000lbs on upper	7,700	-3,640	11,340	3,495	-1,651	5,146
3. Counterweight 3,700lbs + 4,000lbs + 8,000lbs on upper	15,700	-7,420	23,120	7,125	-3,366	10,491
4. Counterweight 3,700lbs to carrier deck	3,700	2,750	950	1,680	1,248	432
5. Counterweight 3,700lbs + 4000lbs to carrier deck	7,700	5,720	1,980	3,495	2,596	899
6. Counterweight 8,000lbs to carrier deck	8,000	5,950	2,050	3,630	2,697	933
7. Counterweight 3,700lbs on upper + 4,000lbs to carrier deck	7,700	1,220	6,480	3,495	555	2,940
8. Counterweight 3,700lbs + 4,000lbs on upper + 8,000lbs to carrier deck	15,700	2,300	13,400	7,125	1,046	6,079
Option: 1. Hot water cab heater and air conditioning in upper cab	210	20	190	97	9	88

MEMO

TADANO AMERICA CORPORATION

333 NORTH PARK CENTRAL DR, SUITE Z
HOUSTON, TEXAS 77073 U.S.A.

PHONE: (281) 869-0030 EXT.315

FAX: (281) 869-0040

Web site: www.tadanoamerica.com

Form No. TAC-TT-800XXL-01-040402