



TADANO CARGO CRANE

**MODEL : TM-ZE505LGXLH
TM-ZE505LGXLHR**

CRANE SPECIFICATIONS

MAXIMUM LIFTING CAPACITY 10,000 lbs. @ 7' (5-part lines)

CRANE CAPACITY 6,800 lbs. @ 12' (4-part lines)

BOOM Five-sectioned, fully powered partly synchronized telescoping boom of pentagonal box construction

Retracted length	14.18'
Extended length	51.49'
Extending speed	37.31' / 29.5 s
Elevation	Elevated by a double-acting hydraulic cylinder
Elevation speed	1° to 78° / 12 s
Boom point	2 sheaves

WINCH Hydraulic motor driven, Spur gear speed reduction, provided with mechanical brake and cable follower

Single line pull	2,000 lbs.
Single line speed	249FPM (@ 4th layer)
Wire rope	
diameter x length	5/16" x 305'
breaking strength	9,680 lbs.
construction	7 X 7 + 6 X WS(26)
Hook block	2 sheaves

SWING Hydraulic motor driven, Worm gear speed reduction, Continuous 360° full circle swing on ball bearing slew ring, Automatic swing lock

Swing speed	2.5 rpm
-------------	---------

HOOK STOWING DEVICE Mechanically stowed beneath boom top portion

Specifications are subject to change without notice.

OUTRIGGERS

Manually extended sliders and hydraulically extended jacks, Integral with crane frame, Power up and down
Easy grab type grips lock and unlock sliders position and double lock pins for storage position.

Extended width Min. 7' 2-5/8"
 Mid. 9' 10-1/8"
 Full 12' 5-5/8"

HYDRAULICS

Hydraulic motor Axial piston type for winch and swing
Control valves Multiple control valves with integral safety valve
Recommended hydraulic pump
 Pressure : Max. 2,915 PSI capacity
 Delivery : Max. 15.8 GPM capacity

ELECTRICAL SYSTEM

Power supply DC12V

SAFETY DEVICES

Anti-two-block with alarm
Hook safety latch
Level gauge
Hydraulic safety valves, check valves and holding valves
Over load alert with load indicator
 Load indication
 Load moment ratio to rated load indication
 Audible warning
 External warning lamps

CRANE WEIGHT

Approx. 4,340 lbs. (crane bare)

RADIO REMOTE CONTROLS (Optional)

(TM-50Z-5-03396)

Model : RCS-F (Approved by FCC / IC)
Control functions of boom telescoping, hoisting up and down, boom elevating, swing, acceleration, speed mode selection, emergency stop, engine start and vehicle horn
Frequency 40 frequencies in 429 MHz band
Operating power supply
 Transmitter 6V DC, Dry battery (AA) x 4
 Control unit 12V DC, Vehicle battery
 Transmitter weight Approx. 1.26lbs (includes batteries)

NOTE

Max. operating speeds of the crane are performed under the condition that the pump delivery is 15.8 GPM.

RATED LIFTING CAPACITIES (IN POUNDS)

CAPACITY CHART ; A

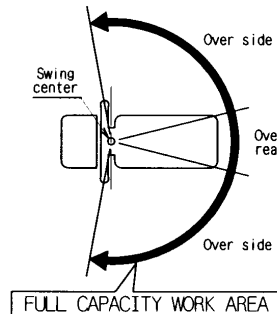
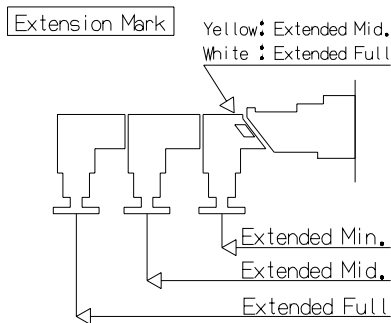
Load Radius (ft.)	14.2 ft. BOOM		23.7 ft. BOOM		33.0 ft. BOOM		42.2 ft. BOOM		51.4 ft. BOOM						
	Boom Angle (deg.)	Outriggers Extended		Boom Angle (deg.)	Outriggers Extended		Boom Angle (deg.)	Outriggers Extended		Boom Angle (deg.)	Outriggers Extended				
		Full	Min.		Full	Min.		Full	Min.		Full	Full			
7	61	10000	7000	74	7000	7000									
8	56	7000	4500	72	7000	4500	78	7000	4500						
10	45	6800	3400	66	6800	3400	74	6800	3400						
12	30	5200	2500	61	5200	2500	71	5200	2500	76	4400				
14				55	3900	1900	67	3900	1900	73	3900	77	1150		
16				48	3000	1450	63	3000	1450	70	3000	75	1150		
20				32	2000	950	54	2000	950	64	2000	70	1150		
25							42	1350	600	56	1350	64	1150		
30							25	1050	250	47	1050	57	1050		
35										36	850	50	850		
40										19	700	42	700		
45												31	550		
	1	4200	2000	1	1600	700	1	950	100	1	650	1	350		
		(13.5ft.)			(22.9ft.)			(32.2ft.)			(41.5ft.)			(50.8ft.)	

CAPACITY CHART ; D

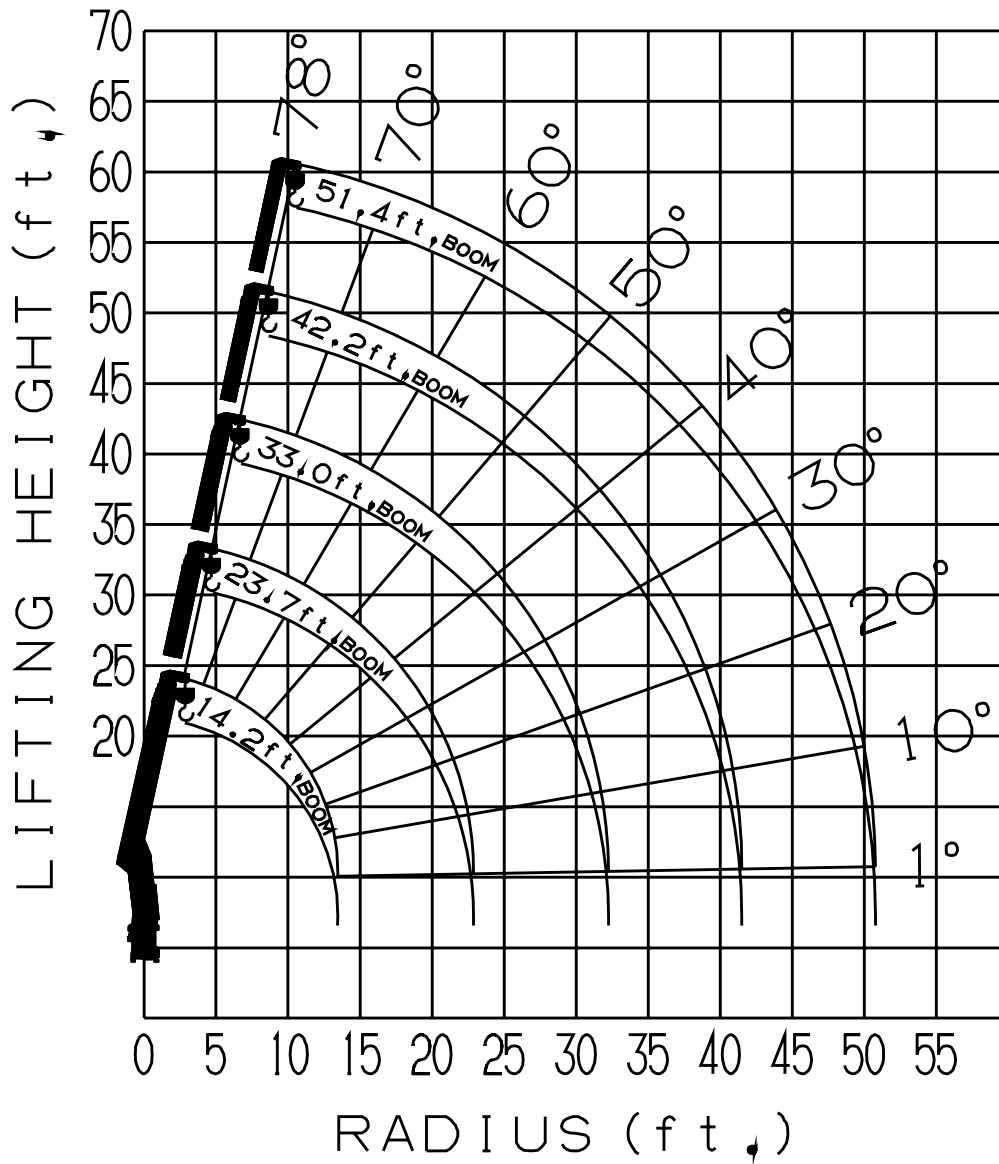
Load Radius (ft.)	14.2 ft. BOOM		23.7 ft. BOOM		33.0 ft. BOOM		42.2 ft. BOOM		51.4 ft. BOOM						
	Boom Angle (deg.)	Outriggers Extended		Boom Angle (deg.)	Outriggers Extended		Boom Angle (deg.)	Outriggers Extended		Boom Angle (deg.)	Outriggers Extended				
		Full	Min.		Full	Min.		Full	Min.		Full	Full			
7	61	10000	7000	74	7000	7000									
8	56	7000	6800	72	7000	6800	78	7000	6800						
10	45	7000	5400	66	7000	5400	74	7000	5400						
12	30	6800	4000	61	6800	3900	71	6800	3900	76	4400				
14				55	5850	3100	67	5850	3100	73	4300	77	1150		
16				48	4950	2600	63	4950	2600	70	4050	75	1150		
20				32	3700	1800	54	3700	1800	64	3400	70	1150		
25							42	2750	1350	56	2650	64	1150		
30							25	2100	900	47	2050	57	1150		
35										36	1750	50	1150		
40										19	1500	42	1150		
45												31	1150		
	1	6100	3300	1	3050	1500	1	1900	450	1	1400	1	1150		
		(13.5ft.)			(22.9ft.)			(32.2ft.)			(41.5ft.)			(50.8ft.)	

NOTE :

- 1 Rated lifting capacities on this chart show maximum allowable loads with the outriggers properly extended on a firm surface and the crane leveled and mounted on a factory recommended truck. The rated lifting capacities in shade area are based on crane strength and others, on its stability(not to exceed 85% of tipping).
- 2 The weight of handling devices such as hook block (65lbs.), slings, etc., must be considered part of the load and must be deducted from the rated lifting capacities.
- 3 The operator must reduce loads to allow for such factors as wind, ground conditions, operating speed and the effects of freely suspended loads such as boom deflection.
- 4 For boom lengths not shown, use the rated lifting capacity of next longer boom.
- 5 When outriggers are extended to mid. position, use the rated lifting capacities for outriggers extended to min. position.
- 6 For boom lengths longer than 33.0 ft., extend outriggers to Full.
- 7 42.2 ft. boom means mark on 4th boom section side plate is half visible.
- 8 Five parts of line is required to lift 10,000lbs.
5 ton 2-sheaves hook and an extra sheave on top of the boom are necessary.

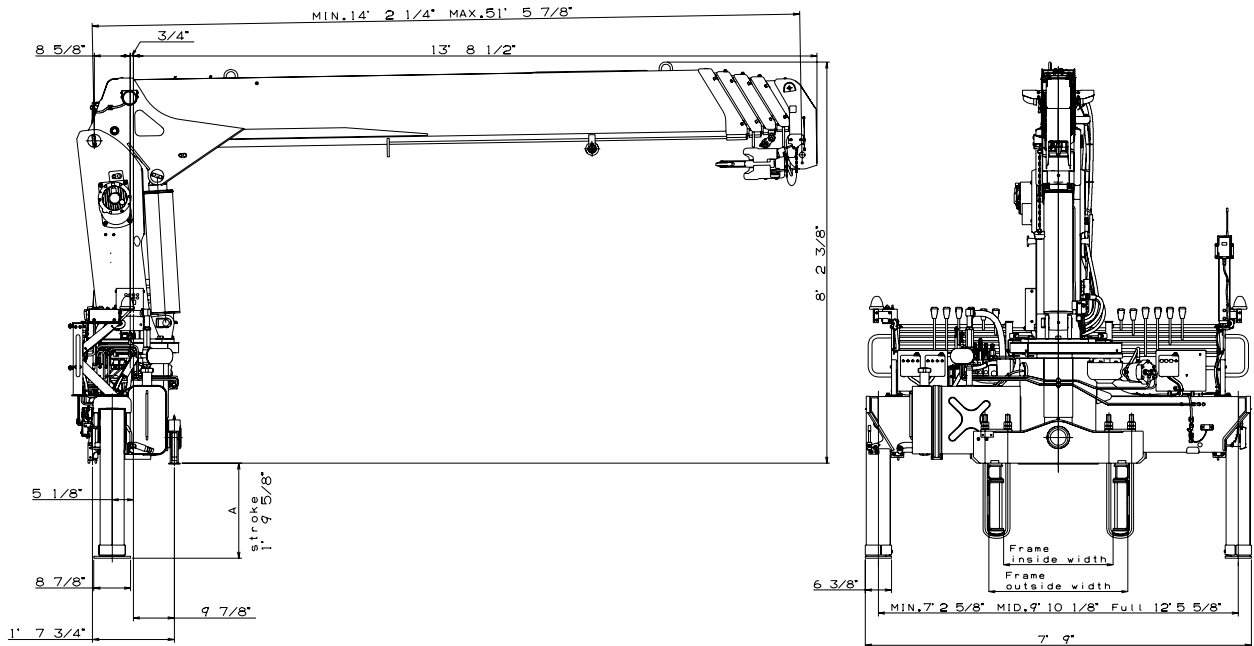


WORKING RANGE CHART



NOTE : The above lifting heights and boom angles are based on a straight (unladen) boom, and allowance should be made for boom deflection obtained under laden condition.

DIMENSIONS (UNIT:INCH)



A = 1' 11 3/8" or 2' 4 1/2" or 3' 3/8"
 (This dimension depends on jack floats applied.)

GENERAL DATA FOR SUITABLE TRUCKS

	CAPACITY; A	CAPACITY; D
Gross Axle Weight Rating(GAWR),front	9,000 lbs. or more	12,000 lbs. or more
Gross Axle Weight Rating(GAWR),rear	17,000 lbs. or more	21,000 lbs. or more
Gross vehicle weight	26,000 to 55,100 lbs.	33,000 to 55,100 lbs.
Cab to Axle / trunnion (CA/CT)	120 to 220"	
Frame Section Modulus(SM) under crane; (Total of both sides.)	10 cu. inch	110,000psi
	22 cu. inch	50,000psi
Frame Section Modulus(SM) over rear spring hanger; (Total of both sides.)	10 cu. inch	110,000psi
	22 cu. inch	50,000psi
P.T.O. torque	115 ft-lbs. Min.	
P.T.O. revolution	Approx. 270 to 2800 rpm	
Width for crane mounting	Approx. 2' 5-1/2" min.	
Frame width range (inside to outside)	Approx. 2' to 3' 1-7/8"	
Frame height (ground to frame top)	Approx. 3' 9" max. (Height of crane mounting base can be changed by combination of jack floats and crane bases)	